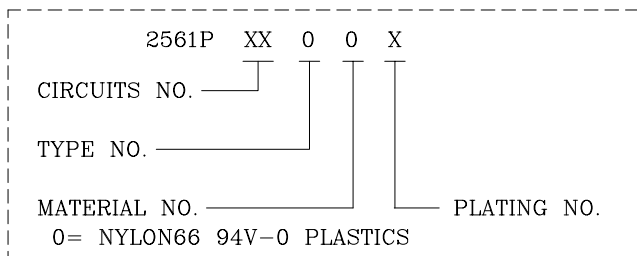


ORDER INFORMATION AND DIMENSION:

Circuits	Part No. (Brick Red color, T/P)	Dimension	
		A	B
2	2561P0200T	2.54	5.1
3	2561P0300T	5.08	7.6
4	2561P0400T	7.62	10.2
5	2561P0500T	10.16	12.7
6	2561P0600T	12.70	15.2
7	2561P0700T	15.24	17.8
8	2561P0800T	17.78	20.3
9	2561P0900T	20.32	22.9
10	2561P1000T	22.86	25.4
11	2561P1100T	25.40	27.9
12	2561P1200T	27.94	30.5
13	2561P1300T	30.48	33.0
14	2561P1400T	33.02	35.6
15	2561P1500T	35.56	38.1

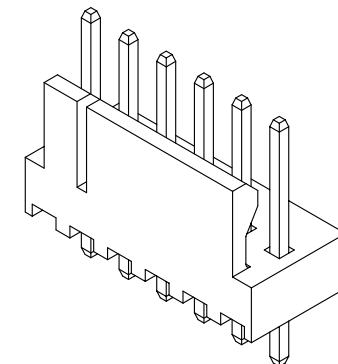
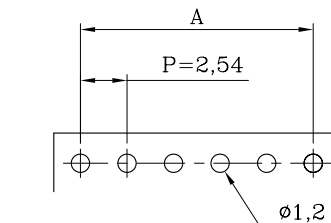
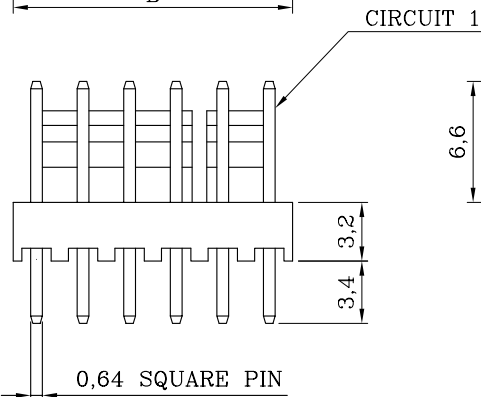
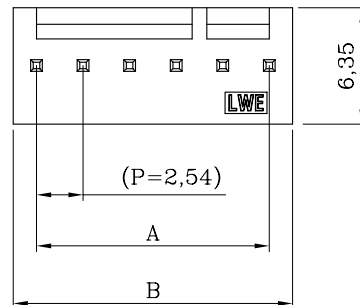
DESCRIPTION OF ORDER NO.:



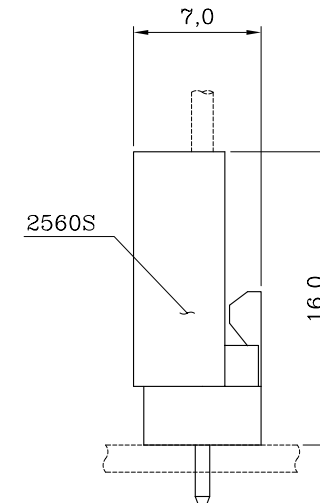
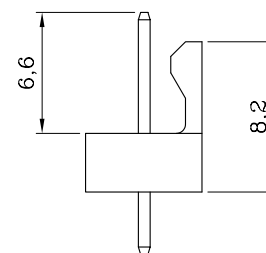
NOTES:

- MATERIAL:  
BASE: NYLON66 94V-0, BRICK RED COLOR  
CONTACT PIN: BRASS
- MATES WITH 2560S SINGLE-ROW SERIES PLUG HOUSING.
- DESCRIPTION OF COLOR CODE:  
LEGEND: 2561PXX00X-X (-X: COLOR CODE)  
B=BLACK, C=COCONUT BROWN, D=ORANGE, E=BLUE, H=GRAY,  
K=PURPLE, L=LEMON YELLOW, M=GREEN, P=PINK, R=RED,  
V=LAVENDER, W=BROWN, Y=YELLOW
- INFORMATION IN THIS DRAWING IS NOT CONSIDERED AS FINAL.

DESCRIPTION OF PLATING CODE:	
T= TIN-PLATED (T/P)	1= GOLD FLASH-PLATED
V= MATTE TIN-PLATED	



ISOMETRIC VIEW



ASSEMBLY LAYOUT

P.C. BOARD LAYOUT  
(COMPONENT SIDE)

MATERIAL: SEE NOTES		FINISH(COLOR): SEE NOTES	
W1	NEW RELEASE	31-DEC-14'	ANGULAR ±3°
REV.	REVISION RECORD	DATE	

		Sales Drawing			
聯盈電子股份有限公司 LANDWIN ELECTRONIC CORP.					
GENERAL TOLERANCE:	PROJECTION	SCALE	UNIT	SHEET NO.	REV
	⊕	FREE	MM	1 / 1	W1
	DRAWN	R.G.	DRAW NO.		
	CHECKED	J.L.Lin	(CQ) 2561PXX00X		
	APPD	H.Y.Lin	TITLE:		
	DATE	31-DEC-14'	2.54 PITCH SINGLE-ROW STRAIGHT DIP-HEADER		