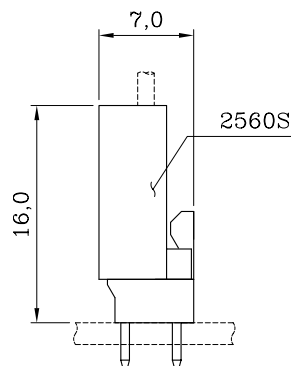
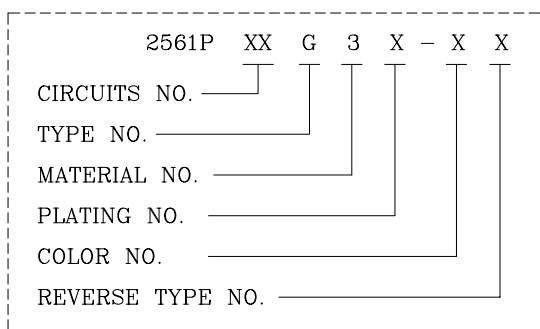


ORDER INFORMATION AND DIMENSION:

Circuits	Part No. (White color, T/P)		Dimension	
	Type-G	Type G-1	A	B
2	2561P02G3T	2561P02G3T-S1	2.54	5.1
3	2561P03G3T	2561P03G3T-S1	5.08	7.6
4	2561P04G3T	2561P04G3T-S1	7.62	10.2
5	2561P05G3T	2561P05G3T-S1	10.16	12.7
6	2561P06G3T	2561P06G3T-S1	12.70	15.2
7	2561P07G3T	2561P07G3T-S1	15.24	17.8
8	2561P08G3T	2561P08G3T-S1	17.78	20.3
9	2561P09G3T	2561P09G3T-S1	20.32	22.9
10	2561P10G3T	2561P10G3T-S1	22.86	25.4

DESCRIPTION OF ORDER NO.:



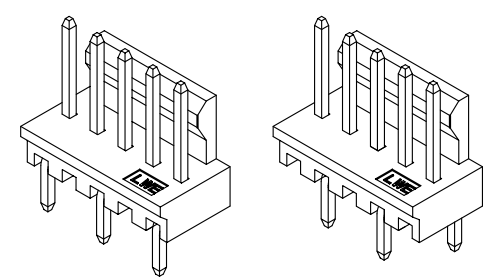
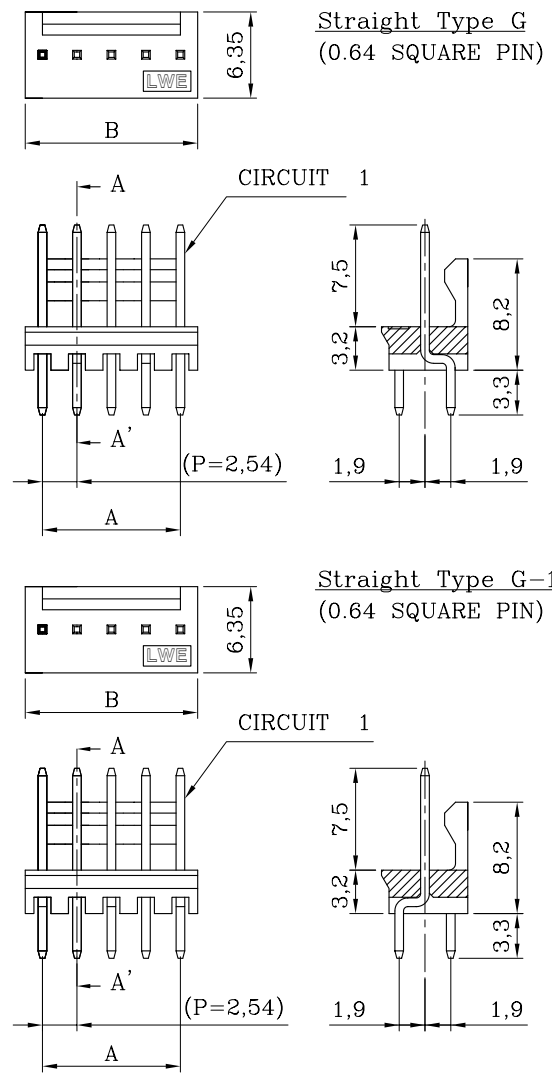
ASSEMBLY LAYOUT

NOTES:

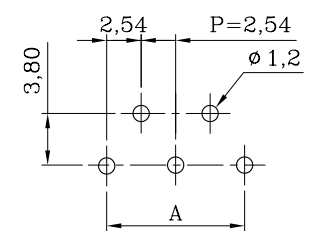
- MATERIAL:
BASE: GLASS-FILLED PBT PLASTICS 94V-0, WHITE COLOR
CONTACT PIN: BRASS
- MATES WITH 2560S SINGLE-ROW SERIES PLUG HOUSING.
- DESCRIPTION OF COLOR CODE:
LEGEND: 2561PXXG3X-X (-X: COLOR CODE)
LEGEND: 2561PXXG3X-X1 (-X: COLOR CODE)
B=BLACK, C=COCONUT BROWN, E=BLUE, H=GRAY,
I=BRICK RED, M=GREEN, R=RED, W=BROWN
- REPLACEMENT OF HALOGEN-FREE PRODUCT:
LEGEND: 2561PXXG3X-XNH (NH: HALOGEN-FREE)
LEGEND: 2561PXXG3X-X1NH (NH: HALOGEN-FREE, TYPE G-1)
LEGEND: 2561PXXG3X-SNH (S=WHITE COLOR/NATURAL)
- INFORMATION IN THIS DRAWING IS NOT CONSIDERED AS FINAL.

DESCRIPTION OF PLATING CODE:

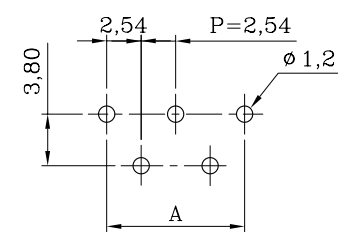
T= TIN-PLATED (T/P)	1= GOLD FLASH-PLATED
V= MATTE TIN-PLATED	



Type-G Type G-1
ISOMETRIC VIEW



Type-G



Type G-1

P.C. BOARD LAYOUT
(COMPONENT SIDE)

		Sales Drawing			
聯盈電子股份有限公司 LANDWIN ELECTRONIC CORP.					
GENERAL TOLERANCE:	PROJECTION	SCALE	UNIT	SHEET NO.	REV
		FREE	MM	1 / 1	W1
	DRAWN	R.G.	DRAW NO.		
	CHECKED	J.L.Lin	(CQ) 2561PXXG3X-XX		
	APPD	H.Y.Lin	TITLE:		
W1	NEW RELEASE	31-DEC-14'	ANGULAR ±3°	DATE 31-DEC-14'	2.54 PITCH SINGLE-ROW STRAIGHT DIP-HEADER
REV.	REVISION RECORD	DATE			