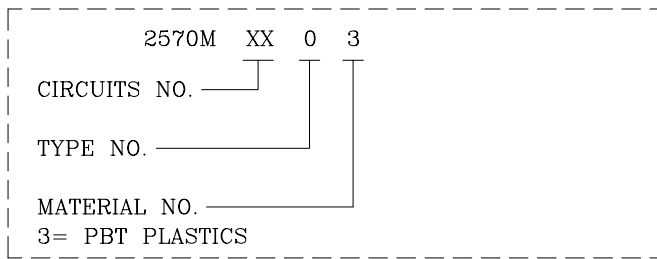


ORDER INFORMATION AND DIMENSION:

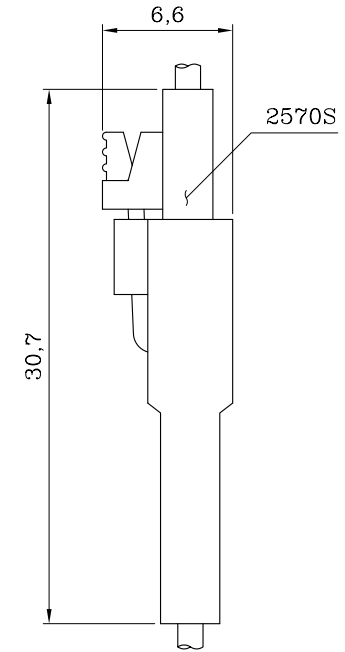
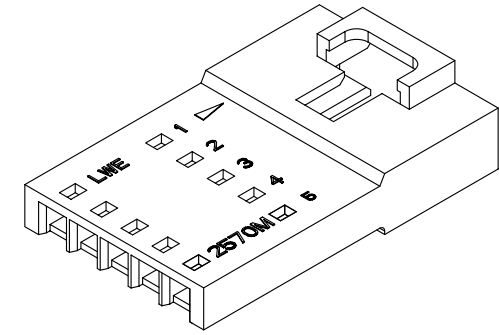
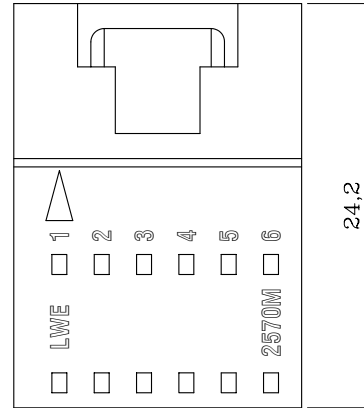
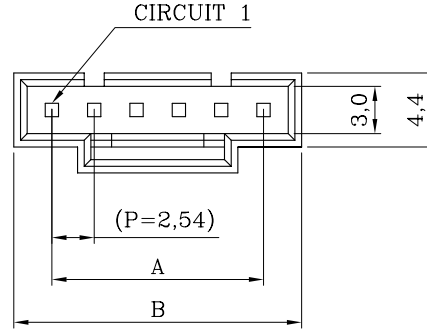
Circuits	Part No.	Dimension	
		A	B
2	2570M0203	2.54	5.08
3	2570M0303	5.08	7.62
4	2570M0403	7.62	10.16
5	2570M0503	10.16	12.70
6	2570M0603	12.70	15.24
7	2570M0703	15.24	17.78
8	2570M0803	17.78	20.32
9	2570M0903	20.32	22.86
10	2570M1003	22.86	25.40
11	2570M1103	25.40	27.94
12	2570M1203	27.94	30.48
13	2570M1303	30.48	33.02
14	2570M1403	33.02	35.56
15	2570M1503	35.56	38.10

DESCRIPTION OF ORDER NO.:



NOTES:

- MATERIAL:  
BASE: GLASS-FILLED PBT PLASTICS 94V-0, BLACK COLOR
- USE WITH 2573TM11X SERIES CRIMP TERMINAL.
- MATES WITH 2570S SINGLE-ROW SERIES PLUG HOUSING.
- DESCRIPTION OF COLOR CODE:  
LEGEND: 2570MXX03-X (-X: COLOR CODE)  
B=BLACK, C=COCONUT BROWN, D=ORANGE, E=BLUE, H=GRAY,  
I=BRICK RED, K=PURPLE, L=LEMON YELLOW, M=GREEN,  
P=PINK, R=RED, V=LAVENDER, W=BROWN, Y=YELLOW  
S=WHITE COLOR
- REPLACEMENT OF HALOGEN-FREE PRODUCT:  
LEGEND: 2570MXX03-XNH (NH: HALOGEN-FREE)  
LEGEND: 2570MXX03-BNH (B=BLACK COLOR)
- INFORMATION IN THIS DRAWING IS NOT CONSIDERED AS FINAL.



ASSEMBLY VIEW

Sales Drawing



MATERIAL: SEE NOTES		FINISH(COLOR): SEE NOTES		聯盈電子股份有限公司 LANDWIN ELECTRONIC CORP.		
GENERAL TOLERANCE:		PROJECTION	SCALE			UNIT
W1		NEW RELEASE	31-DEC-14'	ANGULAR ±3°	DATE 31-DEC-14'	REV W1
REV. REVISION RECORD		DATE		DRAW NO. (AQ) 2570MXX03		
				TITLE: 2.54 PITCH SINGLE-ROW RECEPTACLE HOUSING		