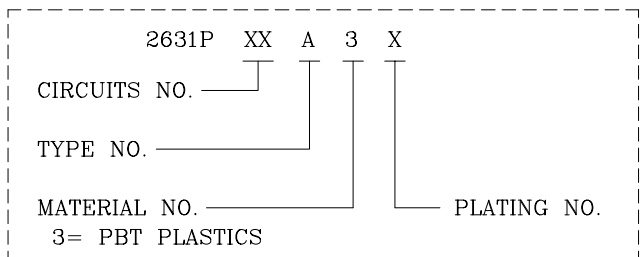


ORDER INFORMATION AND DIMENSION:

Circuits	Part No. (Natural color, T/P)	Dimension	
		A	B
2	2631P02A3T	2.54	5.08
3	2631P03A3T	5.08	7.62
4	2631P04A3T	7.62	10.16
5	2631P05A3T	10.16	12.70
6	2631P06A3T	12.70	15.24
7	2631P07A3T	15.24	17.78
8	2631P08A3T	17.78	20.32
9	2631P09A3T	20.32	22.86
10	2631P10A3T	22.86	25.40
11	2631P11A3T	25.40	27.94
12	2631P12A3T	27.94	30.48
13	2631P13A3T	30.48	33.02
14	2631P14A3T	33.02	35.56
15	2631P15A3T	35.56	38.10

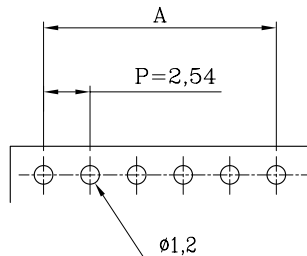
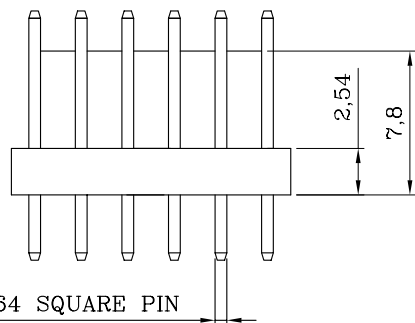
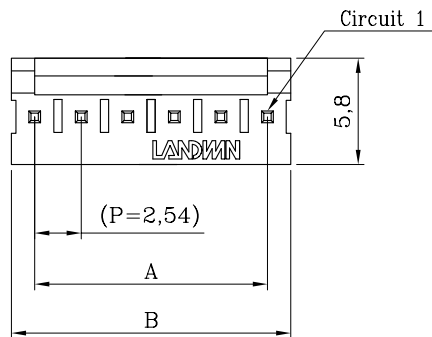
DESCRIPTION OF ORDER NO.:



NOTES:

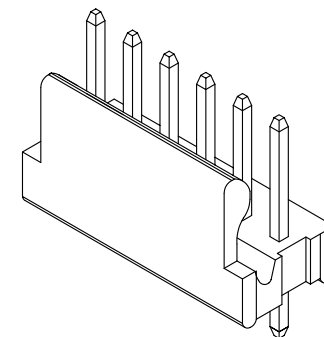
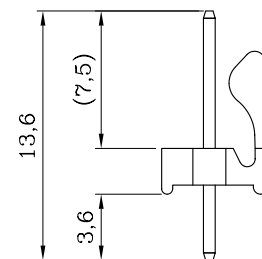
- MATERIAL:
BASE: PBT-GF 94V-0, WHITE COLOR (NATURAL)
CONTACT PIN: BRASS
- MATES WITH 2630RXX22X-1X SERIES IDC PLUG HOUSING.
- DESCRIPTION OF COLOR CODE:
LEGEND: 2631PXXA3X-X (-X: COLOR CODE)
B=BLACK, C=COCONUT BROWN, E=BLUE, H=GRAY,
I=BRICK RED, M=GREEN, R=RED, W=BROWN
- REPLACEMENT OF HALOGEN-FREE PRODUCT:
LEGEND: 2631PXXA3X-XNH (NH: HALOGEN-FREE)
LEGEND: 2631PXXA3X-SNH (S=NATURAL COLOR)
- INFORMATION IN THIS DRAWING IS NOT CONSIDERED AS FINAL.

DESCRIPTION OF PLATING CODE:	
T= TIN-PLATED (T/P)	1= GOLD FLASH-PLATED
V= MATTE TIN-PLATED	

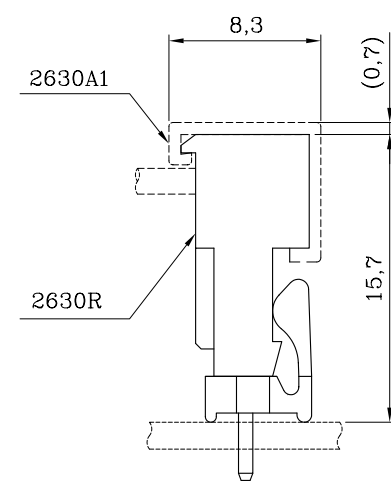


P.C. BOARD LAYOUT
(COMPONENT SIDE)

MATERIAL: SEE NOTES	
FINISH(COLOR): SEE NOTES	
W1	NEW RELEASE
REV.	REVISION RECORD



ISOMETRIC VIEW



ASSEMBLY LAYOUT

		Sales Drawing	
聯盈電子股份有限公司 LANDWIN ELECTRONIC CORP.			
GENERAL TOLERANCE:	PROJECTION FREE	SCALE FREE	UNIT MM
	DRAWN R.G.	DRAW NO. (CQ) 2631PXXA3X	
	CHECKED J.L.Lin	TITLE: 2.54 PITCH SINGLE-ROW S/T DIP-HEADER (TYPE-A)	
	APPD H.Y.Lin	DATE 31-DEC-14'	
W1	NEW RELEASE	31-DEC-14'	ANGULAR ±3°
REV.	REVISION RECORD	DATE	