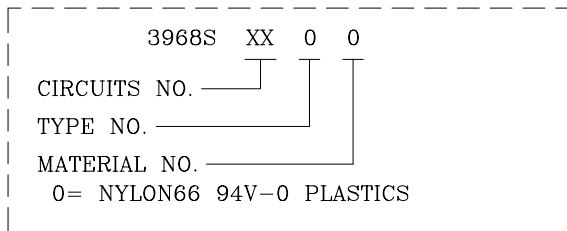


ORDER INFORMATION AND DIMENSION:

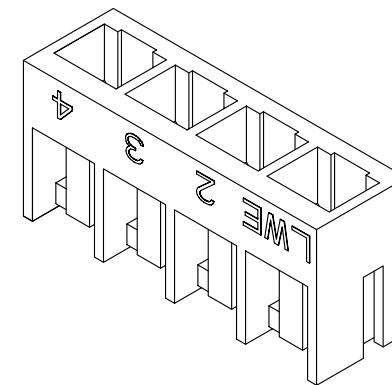
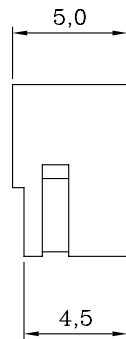
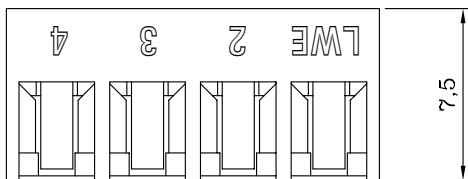
Circuits	Part No.	Dimension	
		A	B
2	3968S02 00	3.96	8.4
3	3968S03 00	7.92	12.3
4	3968S04 00	11.88	16.3
5	3968S05 00	15.84	20.3
6	3968S06 00	19.80	24.2
7	3968S07 00	23.76	28.2
8	3968S08 00	27.72	32.1
9	3968S09 00	31.68	36.1
10	3968S10 00	35.64	40.1
11	3968S11 00	39.60	44.0
12	3968S12 00	43.56	48.0
13	3968S13 00	47.52	51.9
14	3968S14 00	51.48	55.9
15	3968S15 00	55.44	59.9

DESCRIPTION OF ORDER NO.:

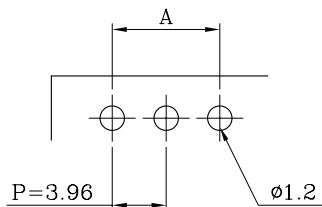
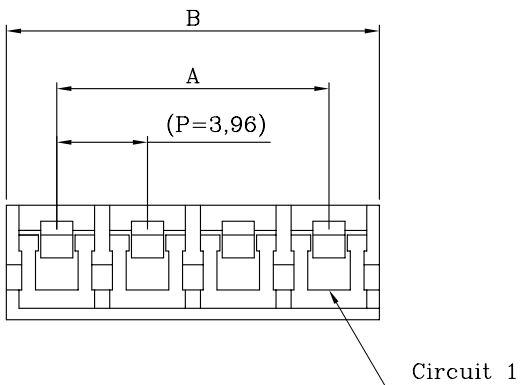


NOTES:

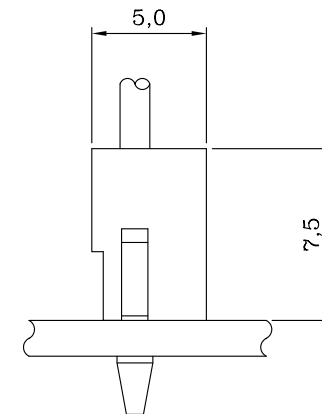
- MATERIAL:
BASE: NYLON66, WHITE COLOR (NATURAL)
- USE WITH 3969T SERIES CRIMP TERMINAL.
- MATES WITH 1.5mm ±0.1 THICKNESS PCB.
- APPLICABLE WIRE RANGE: 16AWG ~ 22AWG.
- DESCRIPTION OF COLOR NO.:
LEGEND: 3968SXX00-X (-X: COLOR CODE)
B=BLACK, R=RED, E=BLUE, H=GRAY.
- INFORMATION IN THIS DRAWING IS NOT CONSIDERED AS FINAL.



ISOMETRIC VIEW



P.C. BOARD LAYOUT



ASSEMBLY VIEW

		Sales Drawing			
		聯盈電子股份有限公司 LANDWIN ELECTRONIC CORP.			
GENERAL TOLERANCE:	PROJECTION: FREE SCALE: FREE UNIT: MM	SHEET NO.	REV	1 / 1 W1	
DRAWN	R.G.	DRAW NO.			
CHECKED	J.L.Lin	(AQ) 3968SXX00			
APPD	H.Y.Lin	TITLE:			
W1	NEW RELEASE	31-DEC-14'	ANGULAR ±3°	DATE 31-DEC-14'	3.96 PITCH SINGLE-ROW BOARD-IN HOUSING
REV.	REVISION RECORD	DATE			