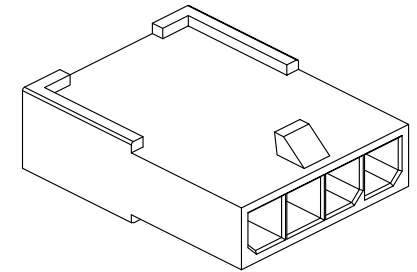
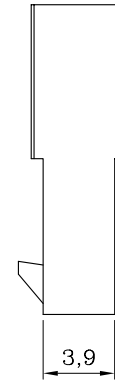
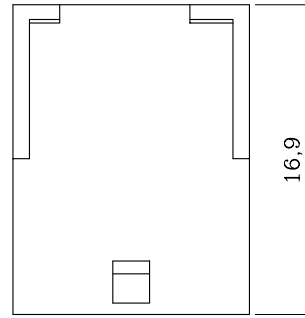


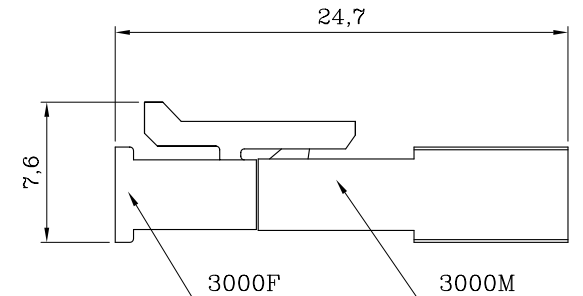
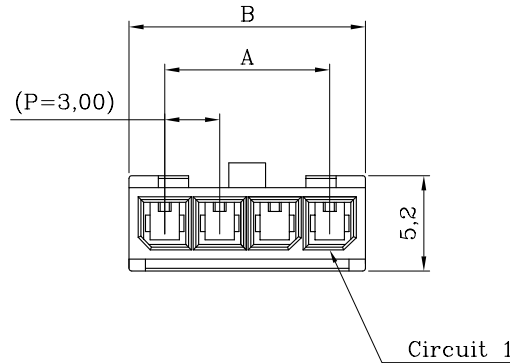
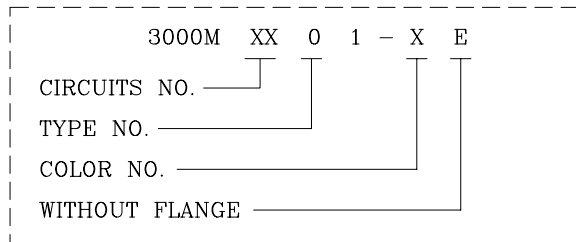
**ORDER INFORMATION AND DIMENSION:**

Circuits	Part No.	Dimension	
	W/O Flange	A	B
2	3000M02 01-BE	3.00	6.9
3	3000M03 01-BE	6.00	9.9
4	3000M04 01-BE	9.00	12.9
5	3000M05 01-BE	12.00	15.9
6	3000M06 01-BE	15.00	18.9
7	3000M07 01-BE	18.00	21.9
8	3000M08 01-BE	21.00	24.9
9	3000M09 01-BE	24.00	27.9
10	3000M10 01-BE	27.00	30.9
11	3000M11 01-BE	30.00	33.9
12	3000M12 01-BE	33.00	36.9



**ISOMETRIC VIEW**

**DESCRIPTION OF ORDER NO.:**



**Assembly View**

**NOTES:**

- MATERIAL:**  
BASE: NYLON66 94V-0, BLACK COLOR
- USE WITH 3003TM SERIES CRIMP TERMINAL.
- MATES WITH 3000F SINGLE-ROW SERIES PLUG HOUSING.
- DESCRIPTION OF COLOR CODE:  
LEGEND: 3000MXX01-XE (-X: COLOR CODE)  
B=BLACK, C=COCONUT BROWN, E=BLUE, H=GRAY,  
I=BRICK RED, M=GREEN, R=RED, W=BROWN, S=WHITE (NATURAL)
- INFORMATION IN THIS DRAWING IS NOT CONSIDERED AS FINAL.



Sales Drawing

**LANDWIN** 聯盈電子股份有限公司  
LANDWIN ELECTRONIC CORP.

GENERAL TOLERANCE:	PROJECTION	SCALE	UNIT	SHEET NO.	REV
		FREE	MM	1 / 1	W1
	DRAWN R.G.		DRAW NO.		
	CHECKED J.L.Lin		(AQ) 3000MXX01-XE		
	APPD H.Y.Lin		TITLE:		
			3.00 PITCH SINGLE-ROW RECEPTACLE HOUSING		

MATERIAL: SEE NOTES	
FINISH(COLOR): SEE NOTES	
W1	NEW RELEASE
REV.	REVISION RECORD

31-DEC-14'  
DATE

ANGULAR ±3°

DATE 31-DEC-14'