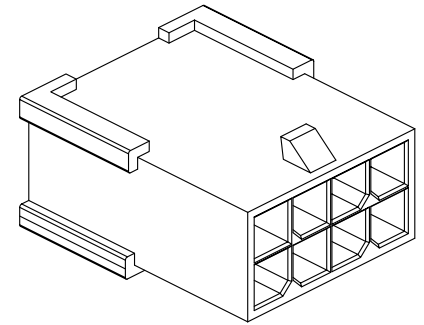
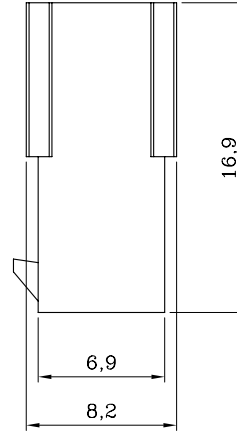
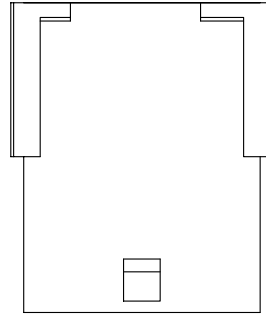


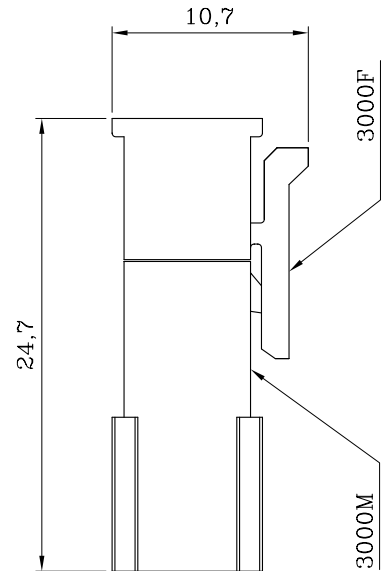
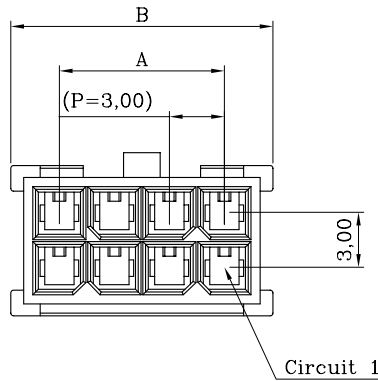
12 11 10 9 8 7 6 5 4 3 2 1

ORDER INFORMATION AND DIMENSION:

Circuits	Part No.	Dimension	
	W/O Flange	A	B
2	3000M02 21-BE	N/A	5.3
4	3000M04 21-BE	3.00	8.3
6	3000M06 21-BE	6.00	11.3
8	3000M08 21-BE	9.00	14.3
10	3000M10 21-BE	12.00	17.3
12	3000M12 21-BE	15.00	20.3
14	3000M14 21-BE	18.00	23.3
16	3000M16 21-BE	21.00	26.3
18	3000M18 21-BE	24.00	29.3
20	3000M20 21-BE	27.00	32.3
22	3000M22 21-BE	30.00	35.3
24	3000M24 21-BE	33.00	38.3

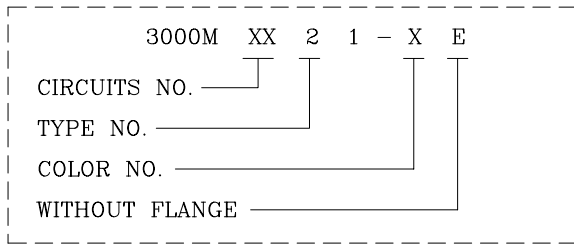


ISOMETRIC VIEW



Assembly View

DESCRIPTION OF ORDER NO.:



NOTES:

- MATERIAL:  
BASE: NYLON66 94V-0, BLACK COLOR
- USE WITH 3003TM SERIES CRIMP TERMINAL.
- MATES WITH 3000F DUAL-ROW SERIES PLUG HOUSING.
- DESCRIPTION OF COLOR CODE:  
LEGEND: 3000MXX21-XE (-X: COLOR CODE)  
B=BLACK, C=COCONUT BROWN, E=BLUE, H=GRAY,  
I=BRICK RED, M=GREEN, R=RED, W=BROWN, S=WHITE (NATURAL)
- INFORMATION IN THIS DRAWING IS NOT CONSIDERED AS FINAL.



Sales Drawing

MATERIAL: SEE NOTES		FINISH(COLOR): SEE NOTES	
W1	NEW RELEASE	31-DEC-14'	ANGULAR ±3°
REV.	REVISION RECORD	DATE	

**LANDWIN** 聯盈電子股份有限公司  
LANDWIN ELECTRONIC CORP.

GENERAL TOLERANCE:	PROJECTION	SCALE	UNIT	SHEET NO.	REV
	⊕	FREE	MM	1 / 1	W1
DRAWN R.G.			DRAW NO.		
CHECKED J.L.Lin			(AQ) 3000MXX21-XE		
APPD H.Y.Lin			TITLE:		
DATE 31-DEC-14'			3.00 PITCH DUAL-ROW RECEPTACLE HOUSING		