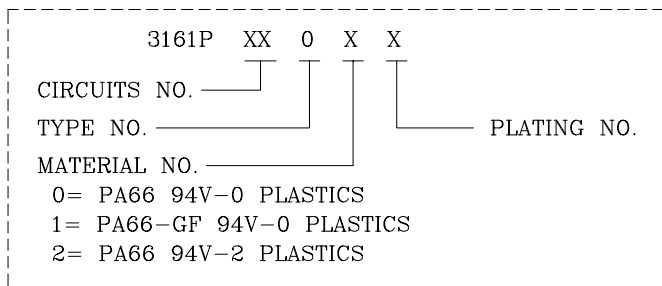


ORDER INFORMATION AND DIMENSION:

Circuits	Part No. (PA66 94V-2, White color)	Dimension	
		A	B
2	3161P0202T	3.96	7.92
3	3161P0302T	7.92	11.88
4	3161P0402T	11.88	15.84
5	3161P0502T	15.84	19.80
6	3161P0602T	19.80	23.76
7	3161P0702T	23.76	27.72
8	3161P0802T	27.72	31.68
9	3161P0902T	31.68	35.64
10	3161P1002T	35.64	39.60
11	3161P1102T	39.60	43.56
12	3161P1202T	43.56	47.52
13	3161P1302T	47.52	51.48
14	3161P1402T	51.48	55.44
15	3161P1502T	55.44	59.40

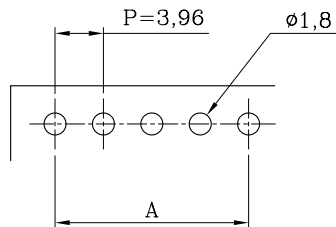
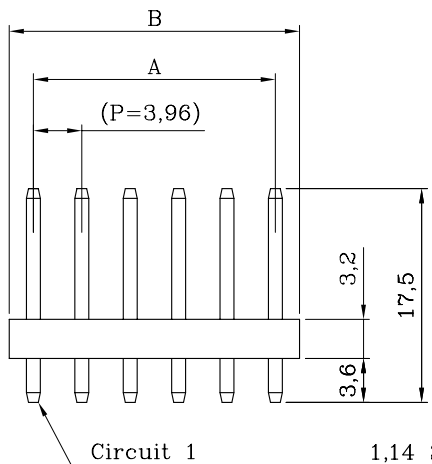
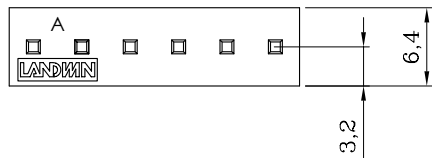
DESCRIPTION OF ORDER NO.:



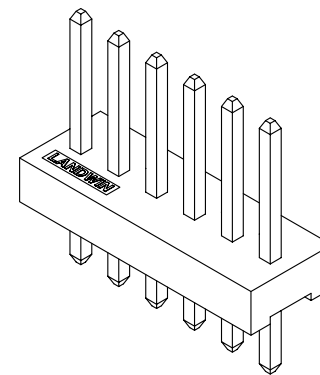
NOTES:

- MATERIAL:
BASE: PA66 94V-0/94V-2, WHITE COLOR (NATURAL)
BASE (No.=1): PA66-GF 94V-0, LIGHT IVORY COLOR (NATURAL)
CONTACT PIN: BRASS
- MATES WITH 3060SXX1X, 3060SXXNX SERIES PLUG HOUSING.
- DESCRIPTION OF COLOR NO:
LEGEND: 3161PXXOXX-X (-X: COLOR CODE)
B=BLACK, C=COCONUT BROWN, E=BLUE, H=GRAY,
- REPLACEMENT OF HALOGEN-FREE PRODUCT (PA66-GF BASE):
LEGEND: 3161PXX01X-XNH (NH: HALOGEN-FREE)
LEGEND: 3161PXX01X-SNH (S=LIGHT IVORY COLOR)
- INFORMATION IN THIS DRAWING IS NOT CONSIDERED AS FINAL.

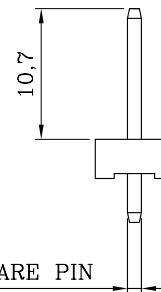
DESCRIPTION OF PLATING NO:	
T= TIN-PLATED (T/P)	1= GOLD FLASH-PLATED
V= MATTE TIN-PLATED	



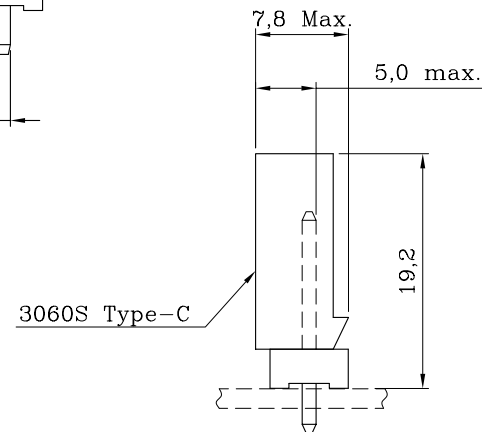
P.C. BOARD LAYOUT
(COMPONENT SIDE)



ISOMETRIC VIEW



1,14 SQUARE PIN



ASSEMBLY LAYOUT



Sales Drawing

LANDWIN 聯盈電子股份有限公司
LANDWIN ELECTRONIC CORP.

MATERIAL: SEE NOTES			
FINISH(COLOR): SEE NOTES			
W1	NEW RELEASE	31-DEC-14'	ANGULAR ±3°
REV.	REVISION RECORD	DATE	

GENERAL TOLERANCE:	PROJECTION	SCALE	UNIT	SHEET NO.	REV
		FREE	MM	1 / 1	W1
	DRAWN R.G.	DRAW NO.			
	CHECKED J.L.Lin	(CQ) 3161PXXOXX			
	APPD H.Y.Lin	TITLE:			
	DATE 31-DEC-14'	3.96 PITCH SINGLE-ROW S/T HEADER (TYPE-0)			