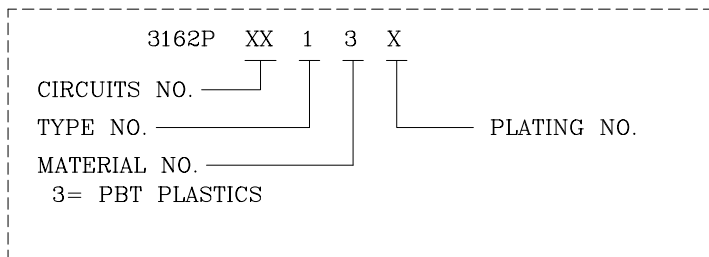


ORDER INFORMATION AND DIMENSION:

Circuits	Part No. (Black color, T/P) (TYPE-1)	Dimension	
		A	B
2	3162P0213T	3.96	7.16
3	3162P0313T	7.92	11.12
4	3162P0413T	11.88	15.08
5	3162P0513T	15.84	19.04
6	3162P0613T	19.80	23.00
7	3162P0713T	23.76	26.96
8	3162P0813T	27.72	30.92
9	3162P0913T	31.68	34.88
10	3162P1013T	35.64	38.84
11	3162P1113T	39.60	42.80
12	3162P1213T	43.56	46.76
13	3162P1313T	47.52	50.72
14	3162P1413T	51.48	54.68
15	3162P1513T	55.44	58.64

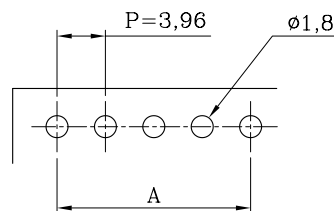
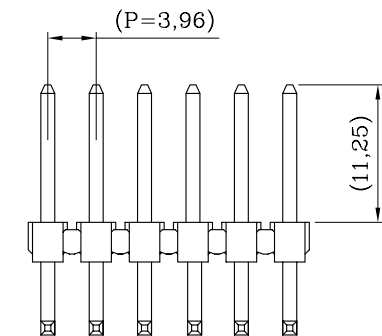
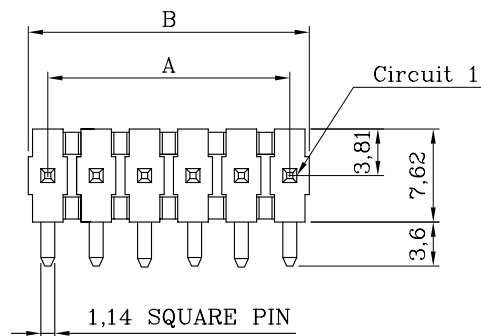
DESCRIPTION OF ORDER NO.:



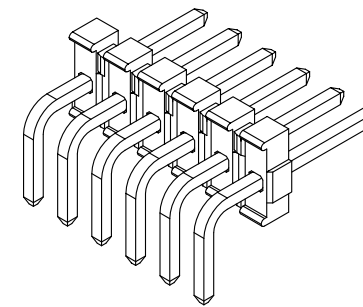
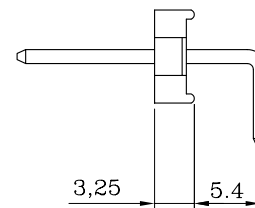
NOTES:

- MATERIAL:  
BASE: PBT-GF 94V-0, BLACK COLOR  
CONTACT PIN: BRASS
- MATES WITH 3060SXX1X, 3060SXXNX SERIES PLUG HOUSING.
- DESCRIPTION OF COLOR NO:  
LEGEND: 3162PXX13X-X (-X: COLOR CODE)  
C=COCONUT BROWN, E=BLUE, H=GRAY,  
I=BRICK RED, M=GREEN, R=RED, W=BROWN
- REPLACEMENT OF HALOGEN-FREE PRODUCT:  
LEGEND: 3162PXX13X-XNH (NH: HALOGEN-FREE)  
LEGEND: 3162PXX13X-BNH (B=BLACK COLOR)
- INFORMATION IN THIS DRAWING IS NOT CONSIDERED AS FINAL.

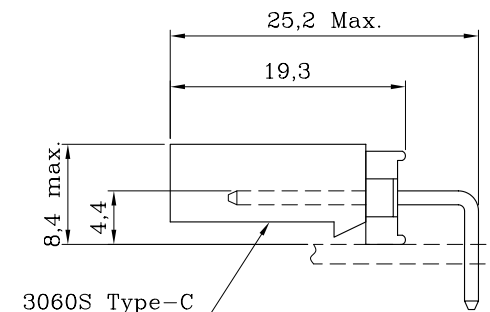
DESCRIPTION OF PLATING NO:	
T= TIN-PLATED (T/P)	1= GOLD FLASH-PLATED
V= MATTE TIN-PLATED	



P.C. BOARD LAYOUT  
(COMPONENT SIDE)



ISOMETRIC VIEW



ASSEMBLY LAYOUT



Sales Drawing

**LANDWIN** 聯盈電子股份有限公司  
LANDWIN ELECTRONIC CORP.

GENERAL TOLERANCE:	PROJECTION	SCALE	UNIT	SHEET NO.	REV
	⊕	FREE	MM	1 / 1	W1
	DRAWN	R.G.	DRAW NO.		
	CHECKED	J.L.Lin	(CQ) 3162PXX13X		
	APPD	H.Y.Lin	TITLE:		
W1	NEW RELEASE	31-DEC-14'	ANGULAR ±3°	DATE 31-DEC-14'	3.96 PITCH SINGLE-ROW R/A HEADER (TYPE-1)
REV.	REVISION RECORD	DATE			