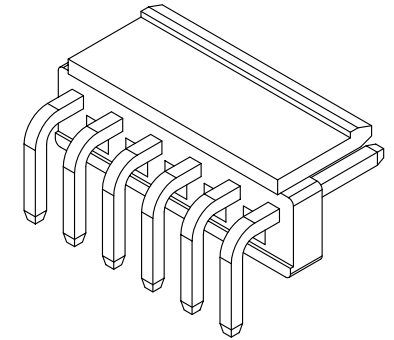
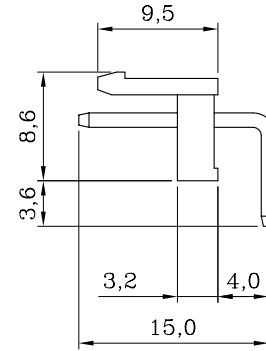
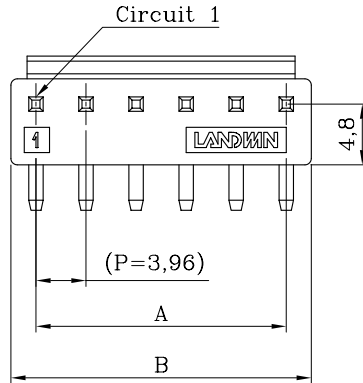
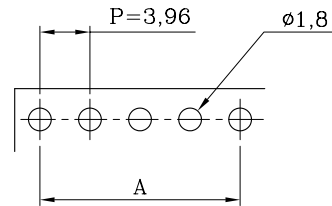
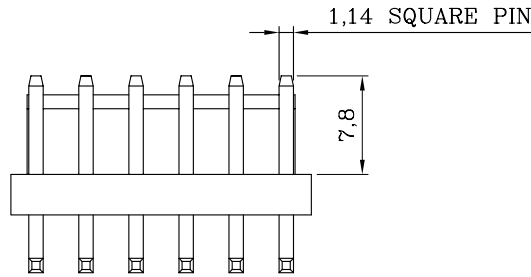


ORDER INFORMATION AND DIMENSION:

Circuits	Part No. (White color, T/P)	Dimension	
		A	B
2	3962P02 00T	3.96	7.92
3	3962P03 00T	7.92	11.88
4	3962P04 00T	11.88	15.84
5	3962P05 00T	15.84	19.80
6	3962P06 00T	19.80	23.76
7	3962P07 00T	23.76	27.72
8	3962P08 00T	27.72	31.68
9	3962P09 00T	31.68	35.64
10	3962P10 00T	35.64	39.60
11	3962P11 00T	39.60	43.56
12	3962P12 00T	43.56	47.52
13	3962P13 00T	47.52	51.48
14	3962P14 00T	51.48	55.44
15	3962P15 00T	55.44	59.40

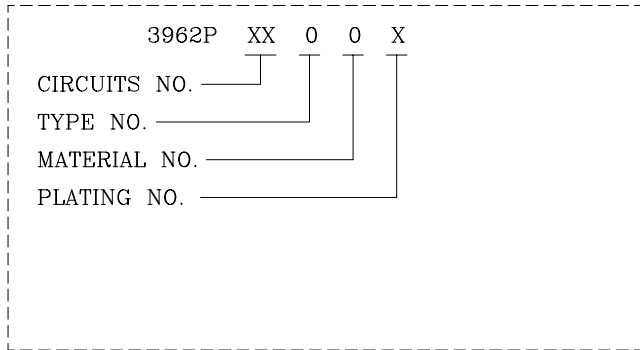


ISOMETRIC VIEW



P.C. BOARD LAYOUT
(COMPONENT SIDE)

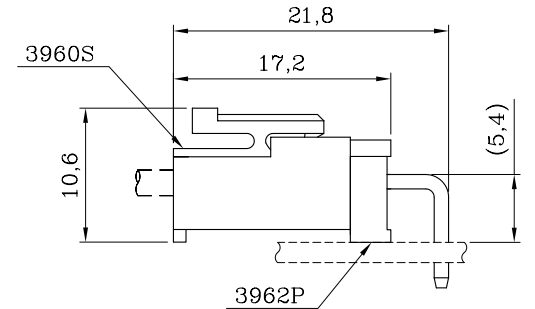
DESCRIPTION OF ORDER NO.:



NOTES:

- MATERIAL:
BASE: NYLON66 94V-0, WHITE (NATURAL COLOR)
CONTACT PIN: BRASS
- MATES WITH 3960SXX00 SERIES PLUG HOUSING.
- DESCRIPTION OF COLOR NO.:
LEGEND: 3962PXX00X-X (-X: COLOR CODE)
B=BLACK, R=RED, E=BLUE, H=GRAY,
I=BRICK RED,
- INFORMATION IN THIS DRAWING IS NOT CONSIDERED AS FINAL.

DESCRIPTION OF PLATING NO.:	
T= TIN-PLATED (T/P)	1= GOLD FLASH-PLATED
V= MATTE TIN-PLATED	



ASSEMBLY LAYOUT



Sales Drawing

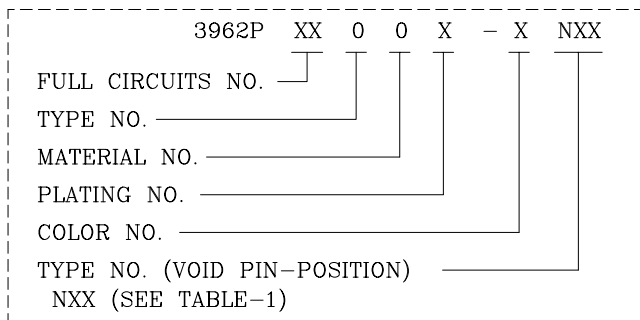
LANDWIN 聯盈電子股份有限公司
LANDWIN ELECTRONIC CORP.

MATERIAL: SEE NOTES		PROJECTION		SCALE	UNIT	SHEET NO.	REV
FINISH(COLOR): SEE NOTES		FREE		FREE	MM	1 / 2	W1
		DRAWN		R.G.	DRAW NO.		
		CHECKED		J.L.Lin	(CQ) 3962PXX00X(-XNXX)		
		APPD		H.Y.Lin	TITLE:		
W1	NEW RELEASE	31-DEC-14'	ANGULAR ±3°	DATE 31-DEC-14'	3.96 PITCH SINGLE-ROW R/A HEADER		
REV.	REVISION RECORD	DATE					

ORDER INFORMATION AND DIMENSION:

Full Circuits No.	Part No. (White color, T/P) (Circuit No.2 Void)	Dimension	
		A	B
3	3962P03 00T-SN02	7.92	11.88
4	3962P04 00T-SN02	11.88	15.84
5	3962P05 00T-SN02	15.84	19.80
6	3962P06 00T-SN02	19.80	23.76
7	3962P07 00T-SN02	23.76	27.72
8	3962P08 00T-SN02	27.72	31.68
9	3962P09 00T-SN02	31.68	35.64
10	3962P10 00T-SN02	35.64	39.60
11	3962P11 00T-SN02	39.60	43.56
12	3962P12 00T-SN02	43.56	47.52
13	3962P13 00T-SN02	47.52	51.48
14	3962P14 00T-SN02	51.48	55.44
15	3962P15 00T-SN02	55.44	59.40

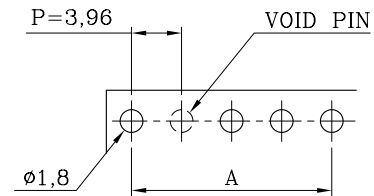
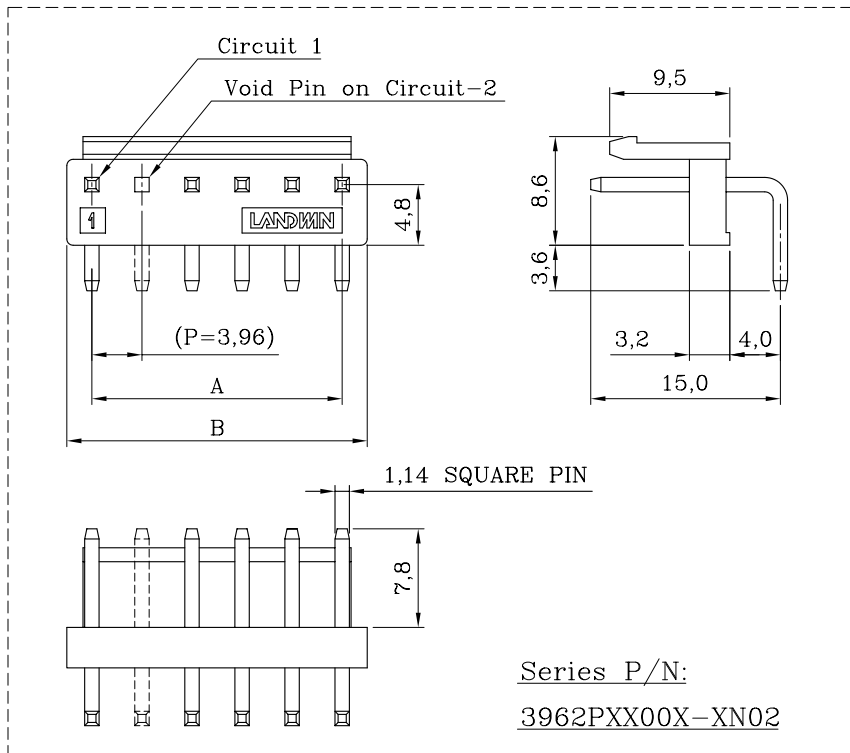
DESCRIPTION OF ORDER NO.:



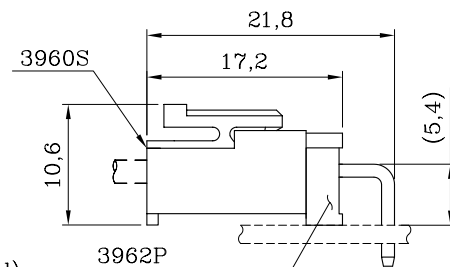
NOTES:

- MATERIAL:
BASE: NYLON66 94V-0
CONTACT PIN: BRASS
- MATES WITH 3960SXX00 SERIES PLUG HOUSING.
- DESCRIPTION OF COLOR NO.:
LEGEND: 3962PXX00X-XNXX (-X: COLOR CODE)
B=BLACK, R=RED, E=BLUE, H=GRAY,
I=BRICK RED, S=WHITE (NATURAL COLOR)
- INFORMATION IN THIS DRAWING IS NOT CONSIDERED AS FINAL.

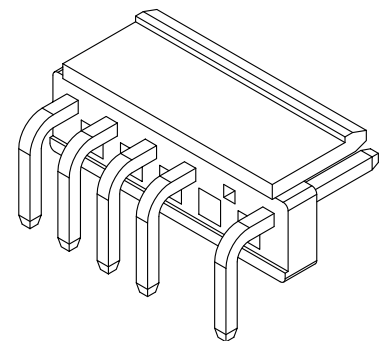
DESCRIPTION OF PLATING NO.:	
T= TIN-PLATED (T/P)	1= GOLD FLASH-PLATED
V= MATTE TIN-PLATED	



P.C. BOARD LAYOUT
(COMPONENT SIDE, Circuit-2 Void)
(Series P/N: 3962PXX00X-XN02)



ASSEMBLY LAYOUT



ISOMETRIC VIEW

(Example: Pin-2 Void)
(Series P/N: 3962PXX00X-XN02)

TABLE-1

TYPE NO. (VOID PIN)	Circuit No. with Void Pin
N02	N0.2
NXX	XX = 03 ~ 15
NB1	1, 3
NB2	2, 4
NB8	8, 10
NC2	2, 4, 6
NC3	3, 5, 7
ND2	2, 4, 6, 8
NE2	2, 4, 6, 8, 10
NF2	2, 4, 6, 8, 10, 12
NG2	2, 4, 6, 8, 10, 12, 14



Sales Drawing

LANDWIN 聯盈電子股份有限公司
LANDWIN ELECTRONIC CORP.

MATERIAL: SEE NOTES		FINISH(COLOR): SEE NOTES		GENERAL TOLERANCE:		PROJECTION	SCALE	UNIT	SHEET NO.	REV
						⊕	FREE	MM	2 / 2	W1
						DRAWN	R.G.	DRAW NO.		
						CHECKED	J.L.Lin	(CQ) 3962PXX00X(-XNXX)		
						APPD	H.Y.Lin	TITLE:		
W1	NEW RELEASE	31-DEC-14'	ANGULAR ±3°	DATE	31-DEC-14'	3.96 PITCH R/A HEADER (VOID PIN TYPE)				
REV.	REVISION RECORD	DATE								