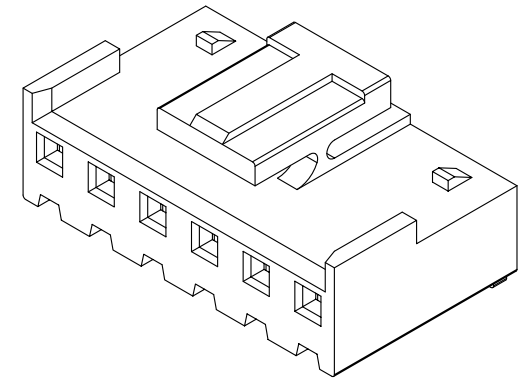
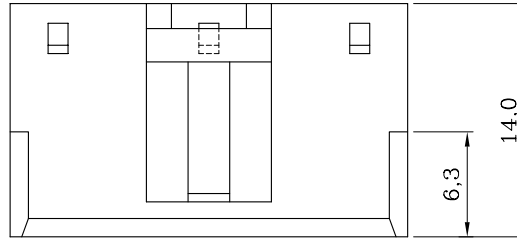
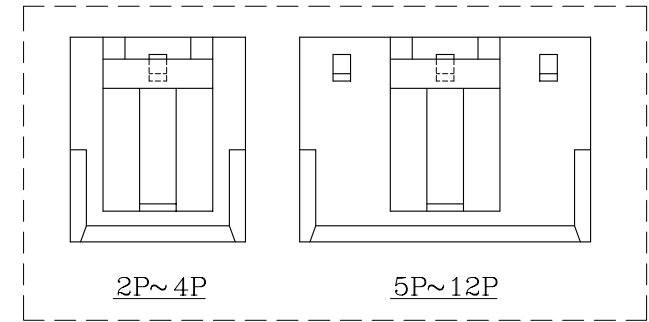
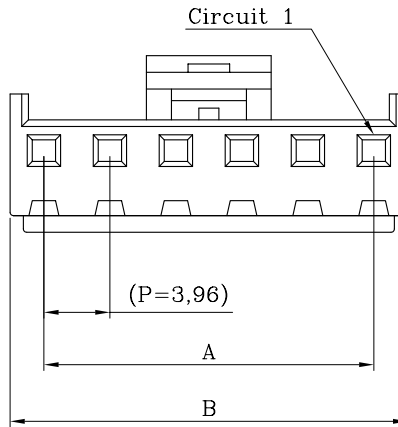
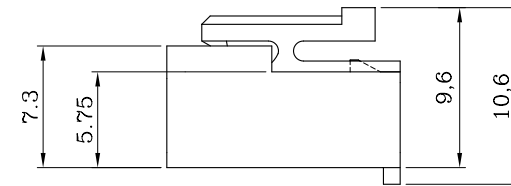


ORDER INFORMATION AND DIMENSION:

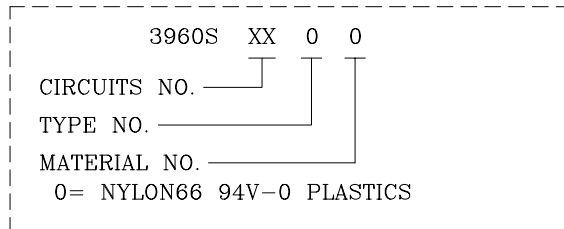
Circuits	Part No. (White color)	Dimension	
		A	B
2	3960S02 00	3.96	8.02
3	3960S03 00	7.92	11.98
4	3960S04 00	11.88	15.94
5	3960S05 00	15.84	19.90
6	3960S06 00	19.80	23.86
7	3960S07 00	23.76	27.82
8	3960S08 00	27.72	31.78
9	3960S09 00	31.68	35.74
10	3960S10 00	35.64	39.70
11	3960S11 00	39.60	43.66
12	3960S12 00	43.56	47.62
13	3960S13 00	47.52	51.58
14	3960S14 00	51.48	55.54
15	3960S15 00	55.44	59.50



ISOMETRIC VIEW



DESCRIPTION OF ORDER NO.:



NOTES:

- MATERIAL:
BASE: NYLON66 94V-0, WHITE (NATURAL COLOR)
- USE WITH 3963T SERIES CRIMP TERMINAL.
- MATES WITH 3961P, 3962P SINGLE-ROW SERIES HEADER.
- USE WITH 3960A SINGLE-ROW SERIES CABLE RETAINER
- DESCRIPTION OF COLOR NO.:
LEGEND: 3960SXX00-X (-X: COLOR CODE)
B=BLACK, R=RED, E=BLUE, H=GRAY,
W=BROWN
- INFORMATION IN THIS DRAWING IS NOT CONSIDERED AS FINAL.



Sales Drawing

LANDWIN 聯盈電子股份有限公司
LANDWIN ELECTRONIC CORP.

MATERIAL: SEE NOTES		FINISH(COLOR): SEE NOTES		GENERAL TOLERANCE:		PROJECTION	SCALE	UNIT	SHEET NO.	REV
						⊕	FREE	MM	1 / 1	W1
				DRAWN		R.G.		DRAW NO.		
				CHECKED		J.L.Lin		(AQ) 3960SXX00		
				APPD		H.Y.Lin		TITLE:		
W1	NEW RELEASE	31-DEC-14'	ANGULAR ±3°	DATE	31-DEC-14'	3.96 PITCH SINGLE-ROW PLUG HOUSING				
REV.	REVISION RECORD	DATE								