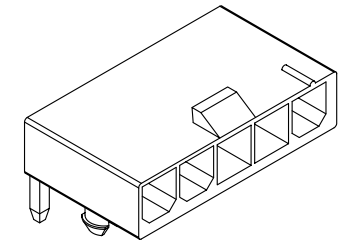
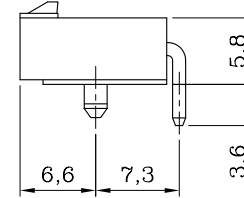
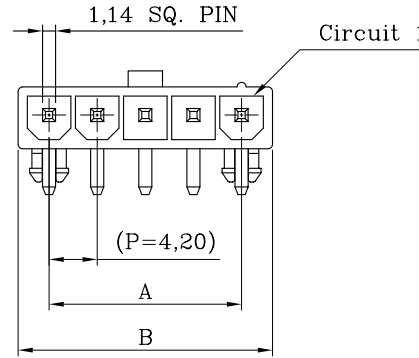


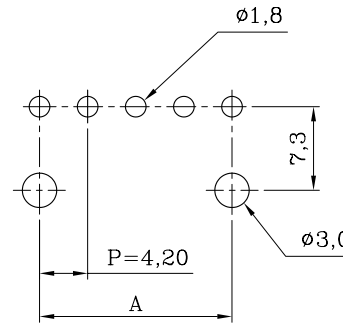
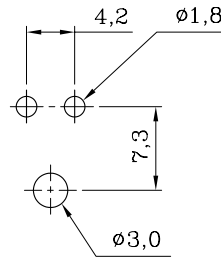
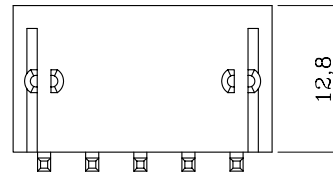
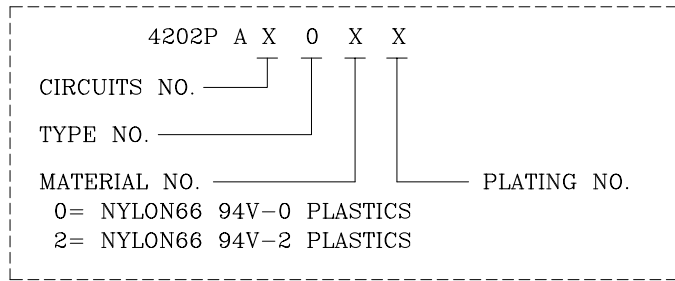
ORDER INFORMATION AND DIMENSION:

Circuits	Part No.		Dimension	
	NYLON66 UL94V-0	NYLON66 UL94V-2	A	B
2	4202PA2 00T	4202PA2 02T	4.2	9.6
3	4202PA3 00T	4202PA3 02T	8.4	13.8
4	4202PA4 00T	4202PA4 02T	12.6	18.0
5	4202PA5 00T	4202PA5 02T	16.8	22.2

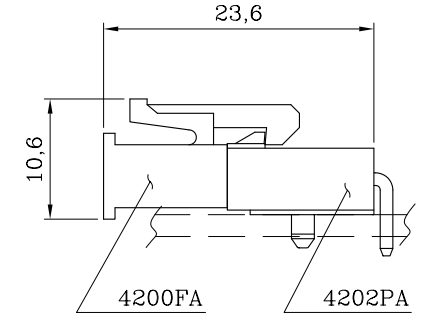


ISOMETRIC VIEW

DESCRIPTION OF ORDER NO.:



(2P)



ASSEMBLY LAYOUT

NOTES:

- MATERIAL:
BASE: NYLON66 94V-0/94V-2, WHITE (NATURAL COLOR)
CONTACT PIN: BRASS
- MATES WITH 4200F SINGLE-ROW SERIES PLUG HOUSING.
- DESCRIPTION OF COLOR NO.:
LEGEND: 4202PAXXX-X (-X: COLOR CODE)
B=BLACK, C=COCONUT BROWN, E=BLUE, H=GRAY,
I=BRICK RED,
- INFORMATION IN THIS DRAWING IS NOT CONSIDERED AS FINAL.

P.C. BOARD LAYOUT (COMPONENT SIDE)

MATERIAL: SEE NOTES				Sales Drawing	
FINISH(COLOR): SEE NOTES					
ANGULAR ±3°					
聯盈電子股份有限公司 LANDWIN ELECTRONIC CORP.				REVISION RECORD	
W1		NEW RELEASE		31-DEC-14'	
REV.		REVISION RECORD		DATE	
DATE		DATE		DATE	
DATE		DATE		DATE	

RoHS Compliant

REACH Compliant

Sales Drawing

LANDWIN 聯盈電子股份有限公司
LANDWIN ELECTRONIC CORP.

GENERAL TOLERANCE:	PROJECTION	SCALE	UNIT	SHEET NO.	REV
		FREE	MM	1 / 1	W1
DRAWN R.G.		DRAW NO.			
CHECKED J.L.Lin		(CQ) 4202PAX0XX			
APPD H.Y.Lin		TITLE:			
		4.20 PITCH SINGLE-ROW R/A HEADER			

DESCRIPTION OF PLATING NO.:	
T= TIN-PLATED (T/P)	1= GOLD FLASH-PLATED
V= MATTE TIN-PLATED	