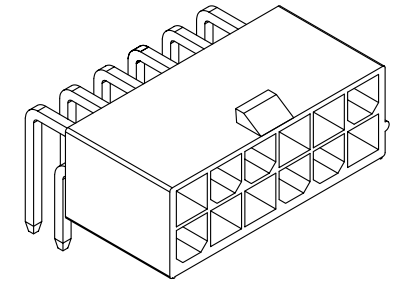
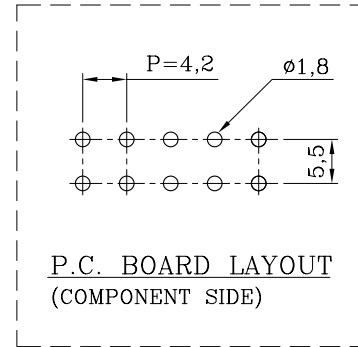
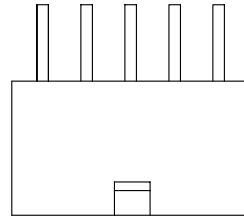
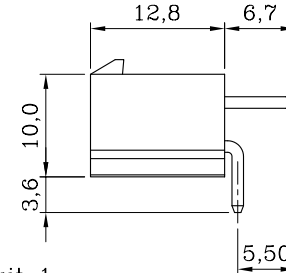
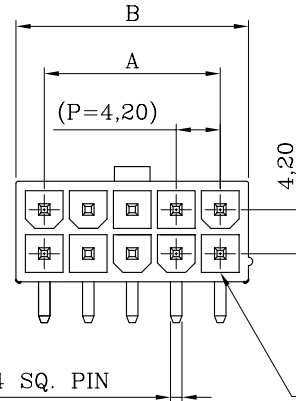


ORDER INFORMATION AND DIMENSION:

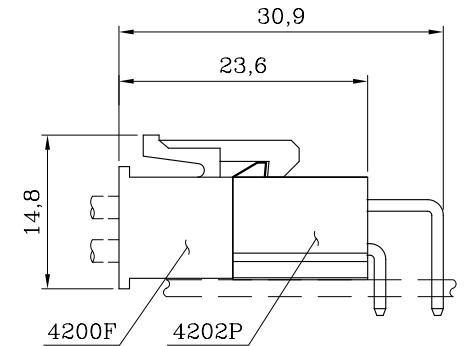
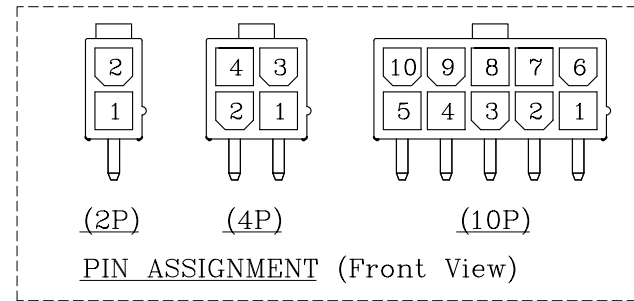
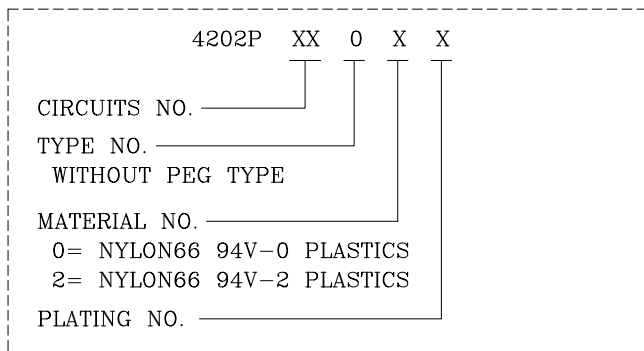
Circuits	Part No.		Dimension	
	NYLON66 UL94V-0	NYLON66 UL94V-2	A	B
2	4202P02 00T	4202P02 02T	n/a	5.4
4	4202P04 00T	4202P04 02T	4.2	9.6
6	4202P06 00T	4202P06 02T	8.4	13.8
8	4202P08 00T	4202P08 02T	12.6	18.0
10	4202P10 00T	4202P10 02T	16.8	22.2
12	4202P12 00T	4202P12 02T	21.0	26.4
14	4202P14 00T	4202P14 02T	25.2	30.6
16	4202P16 00T	4202P16 02T	29.4	34.8
18	4202P18 00T	4202P18 02T	33.6	39.0
20	4202P20 00T	4202P20 02T	37.8	43.2
22	4202P22 00T	4202P22 02T	42.0	47.4
24	4202P24 00T	4202P24 02T	46.2	51.6



ISOMETRIC VIEW



DESCRIPTION OF ORDER NO.:



ASSEMBLY LAYOUT

NOTES:

- MATERIAL:
BASE: NYLON66 94V-0/94V-2, WHITE (NATURAL COLOR)
CONTACT PIN: BRASS
- MATES WITH 4200F DUAL-ROW SERIES PLUG HOUSING.
- DESCRIPTION OF COLOR NO.:
LEGEND: 4202PXX0XX-X (-X: COLOR CODE)
B=BLACK, C=COCONUT BROWN, E=BLUE, H=GRAY,
I=BRICK RED, M=GREEN, R=RED, W=BROWN
- INFORMATION IN THIS DRAWING IS NOT CONSIDERED AS FINAL.

DESCRIPTION OF PLATING NO.:	
T= TIN-PLATED (T/P)	1= GOLD FLASH-PLATED
V= MATTE TIN-PLATED	



Sales Drawing

MATERIAL: SEE NOTES		FINISH(COLOR): SEE NOTES	
W1	NEW RELEASE	31-DEC-14'	ANGULAR ±3°
REV.	REVISION RECORD	DATE	

LANDWIN 聯盈電子股份有限公司
LANDWIN ELECTRONIC CORP.

GENERAL TOLERANCE:	PROJECTION	SCALE	UNIT	SHEET NO.	REV
	⊕	FREE	MM	1 / 1	W1
	DRAWN	R.G.	DRAW NO.		
	CHECKED	J.L.Lin	(CQ) 4202PXX0XX		
	APPD	H.Y.Lin	TITLE:		
	DATE	31-DEC-14'	4.20 PITCH DUAL-ROW R/A HEADER		