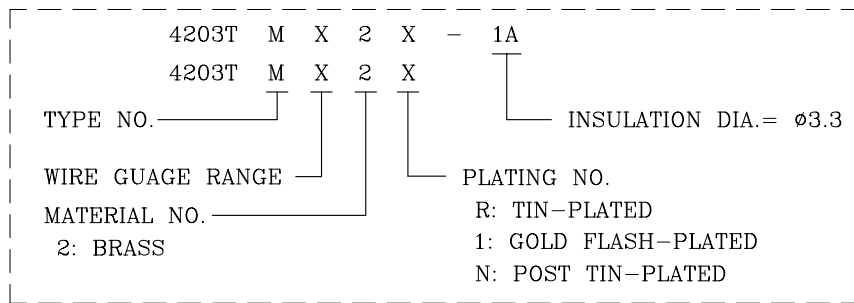


ROLL FORM PACKAGE

DESCRIPTION OF ORDER NO.:

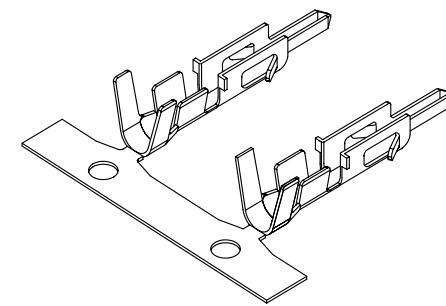
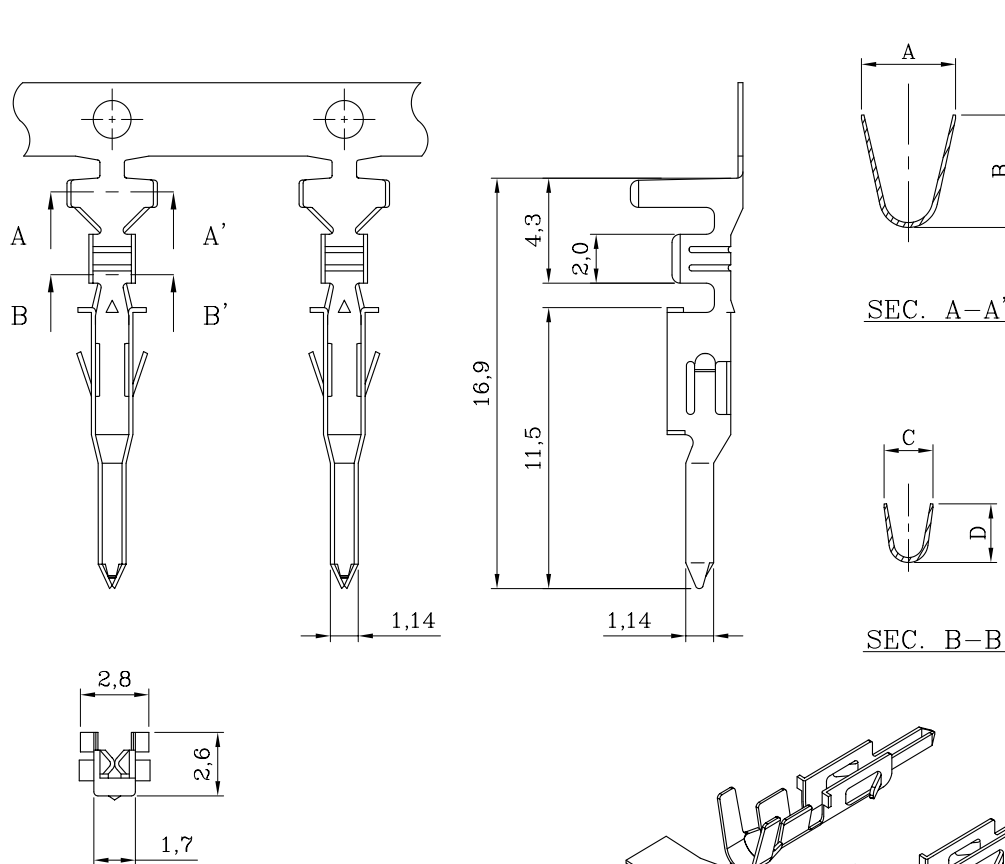


ORDER INFORMATION AND DIMENSION:

ORDER NO.	TERMINAL TYPE	WIRE GAUGE RANGE (AWG)	INSULATION DIAMETER	Q'TY/REEL	A	B	C	D
4203TM11X-1A	CHAIN	#16	ϕ 3.3 MAX.	4,000 PCS	3.6	4.5	2.3	2.9
4203TM11X	CHAIN	#16	ϕ 2.9 MAX.	5,000 PCS	3.8	4.2	2.3	2.9
4203TM21X	CHAIN	#18 ~ #24	ϕ 2.7 MAX.	5,000 PCS	3.8	4.2	2.0	2.3
4203TM31X	CHAIN	#22 ~ #28	ϕ 2.2 MAX.	5,000 PCS	2.3	2.3	1.65	1.8

NOTES:

- MATERIAL: BRASS
- USE WITH 4200M SERIES PLUG HOUSING:
 - <1> 4200MXXOX SERIES
 - <2> 4200MXXAX SERIES
 - <3> 4200MAXOX SERIES
 - <4> 4200MAXAX SERIES
 - <5> 4200MXXBX SERIES
 - <6> 4200MXX01-XA SERIES
- INFORMATION IN THIS DRAWING IS NOT CONSIDERED AS FINAL.



ISOMETRIC VIEW

		Sales Drawing			
		聯盈電子股份有限公司 LANDWIN ELECTRONIC CORP.			
GENERAL TOLERANCE:	PROJECTION	SCALE	UNIT	SHEET NO.	REV
		FREE	MM	1 / 1	W1
	DRAWN	R.G.	DRAW NO.		
	CHECKED	J.L.Lin	(BQ) 4203TMX2X(-1A)		
	APPD	H.Y.Lin	TITLE:		
W1	NEW RELEASE	31-DEC-14'	ANGULAR \pm 3°	DATE 31-DEC-14'	CRIMP TERMINAL (4200M SERIES)
REV.	REVISION RECORD	DATE			