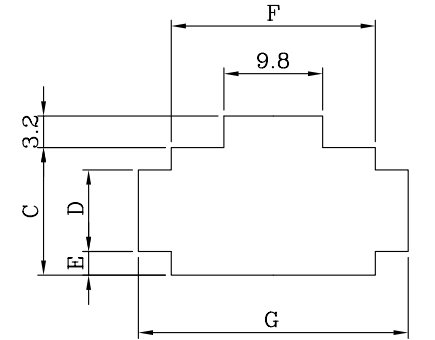
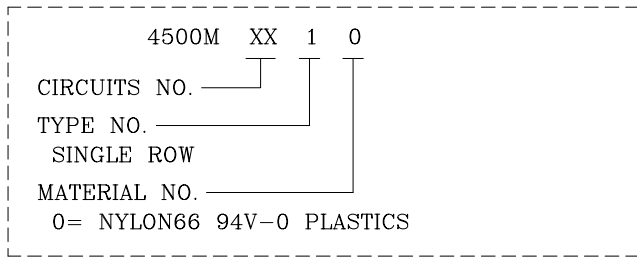


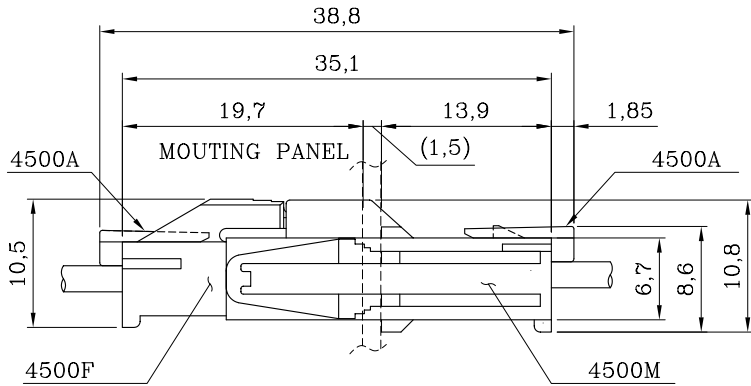
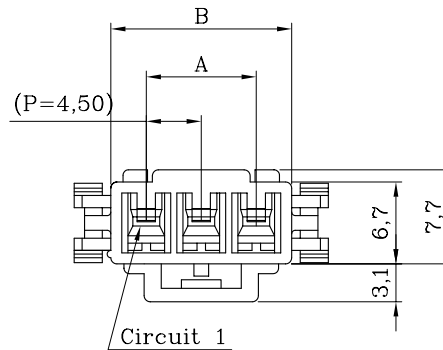
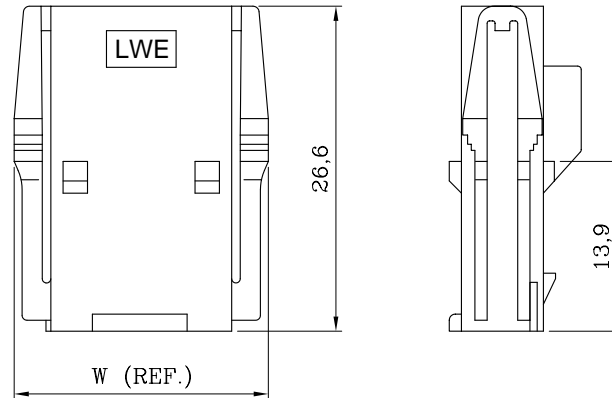
ORDER INFORMATION AND DIMENSION:

Circuits	Part No. (Panel Mount) (White Color)	Dimension			Panel Cut-Off Dimension (Thickness 1.4 to 2.0, Note 6)				
		A	B	W	C	D	E	F	G
2	4500M0210	4.50	10.3	(24.3)	7.1	5.6	0.75	10.7	16.8
3	4500M0310	9.00	14.8	(28.8)	7.1	5.6	0.75	15.3	21.3

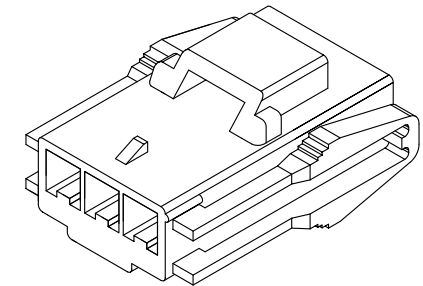
DESCRIPTION OF ORDER NO.:



Recomm. Panel Cut-Off Dimension  
(Panel thickness: 1.4 to 2.0 mm)



ASSEMBLY VIEW



ISOMETRIC VIEW

NOTES:

- MATERIAL:  
BASE: NYLON66 94V-0, WHITE COLOR (NATURAL)
- USE WITH 4500TM SERIES CRIMP TERMINAL.
- USE WITH 4500A SERIES CABLE RATAINER.
- MATES WITH 4500F TYPE-1 SERIES PLUG HOUSING.
- DESCRIPTION OF COLOR NO.:  
LEGEND: 4500MXX10-X (-X: COLOR NO.)  
B=BLACK, E=BLUE, H=GRAY,  
I=BRICK RED, R=RED, W=BROWN
- FOR SMALLER THICKNESS APPLICATION, PLEASE CONTACT SALES.
- INFORMATION IN THIS DRAWING IS NOT CONSIDERED AS FINAL.



Sales Drawing



聯盈電子股份有限公司  
LANDWIN ELECTRONIC CORP.

MATERIAL: SEE NOTES		FINISH(COLOR): SEE NOTES	
W1	NEW RELEASE	31-DEC-14'	ANGULAR ±3°
REV.	REVISION RECORD	DATE	

GENERAL TOLERANCE:	PROJECTION	SCALE	UNIT	SHEET NO.	REV
	⊕	FREE	MM	1 / 2	W1
	DRAWN	R.G.	DRAW NO.		
	CHECKED	J.L.Lin	(AQ) 4500MXX10(-1)		
	APPD	H.Y.Lin	TITLE:		
			4.50 PITCH SINGLE-ROW RECEPTACLE HOUSING		

