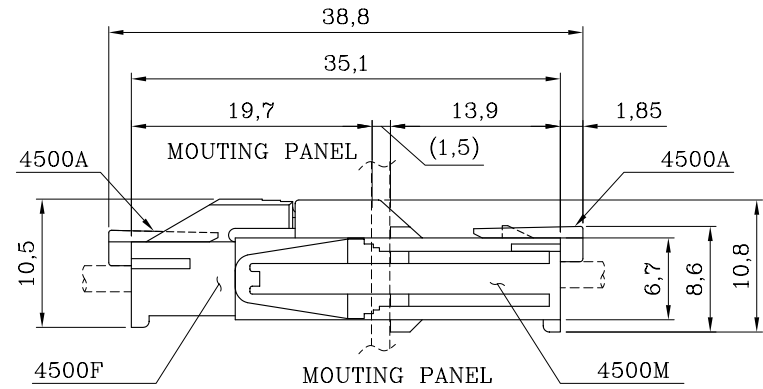
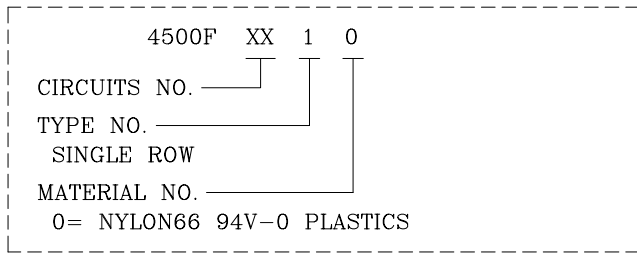


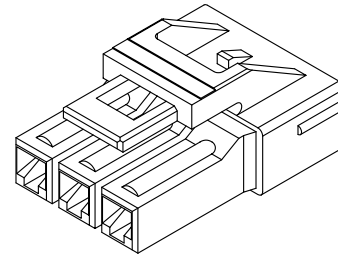
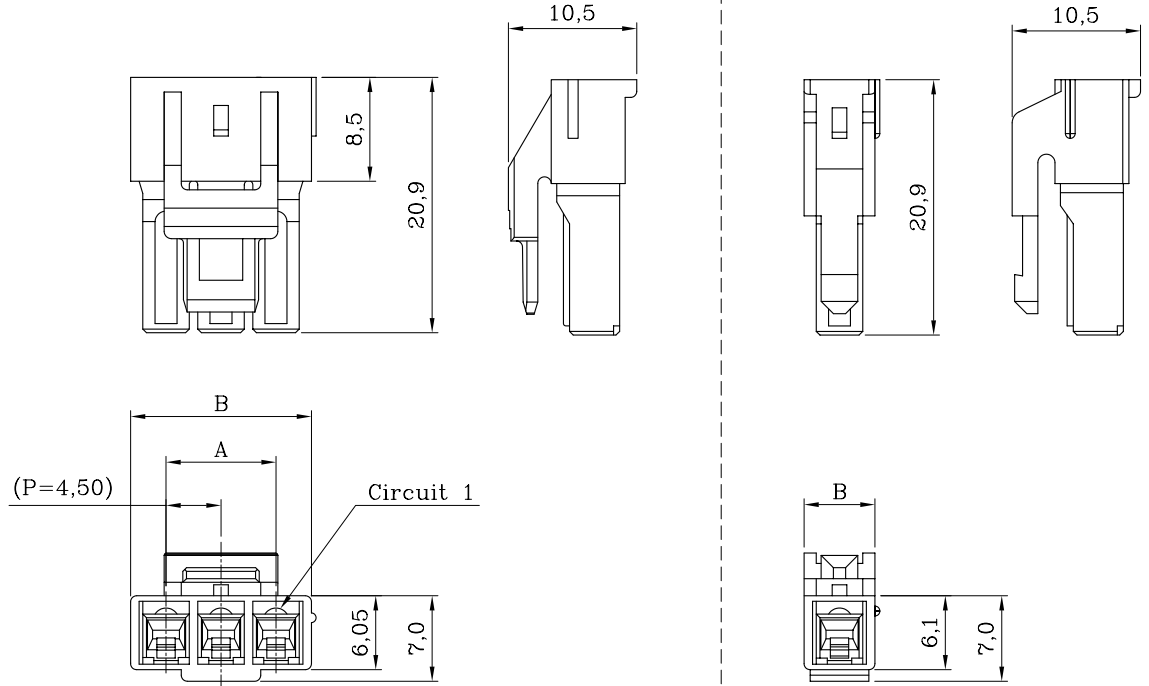
ORDER INFORMATION AND DIMENSION:

Circuits	Part No. (White Color)	Dimension	
		A	B
1	4500F0110	n/a	5.8
2	4500F0210	4.50	10.3
3	4500F0310	9.00	14.8

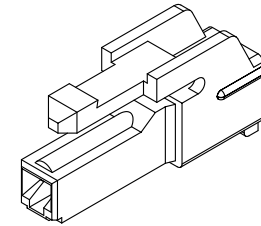
DESCRIPTION OF ORDER NO.:



ASSEMBLY VIEW (2P ~ 3P)



ISOMETRIC VIEW



ISOMETRIC VIEW (1 CIRCUIT)

NOTES:

- MATERIAL:
BASE: NYLON66 94V-0, WHITE COLOR (NATURAL)
- USE WITH 4500TF SERIES CRIMP TERMINAL.
- USE WITH 4500A SERIES CABLE RATAINER.
- MATES WITH 4500M SERIES RECEPTACLE HOUSING.
- DESCRIPTION OF COLOR NO.:
LEGEND: 4500FXX10-X (-X: COLOR NO.)
B=BLACK, E=BLUE, H=GRAY,
I=BRICK RED, R=RED, W=BROWN
- INFORMATION IN THIS DRAWING IS NOT CONSIDERED AS FINAL.



Sales Drawing

MATERIAL: SEE NOTES		FINISH(COLOR): SEE NOTES	
W1	NEW RELEASE	31-DEC-14'	ANGULAR ±3°
REV.	REVISION RECORD	DATE	

LANDWIN 聯盈電子股份有限公司		LANDWIN ELECTRONIC CORP.	
GENERAL TOLERANCE:	PROJECTION:	SCALE: FREE	UNIT: MM
	DRAWN: R.G.	SHEET NO. 1 / 1	
	CHECKED: J.L.Lin	REV: W1	
	APPD: H.Y.Lin	DRAW NO. (AQ) 4500FXX10	
		TITLE: 4.50 PITCH SINGLE-ROW PLUG HOUSING	