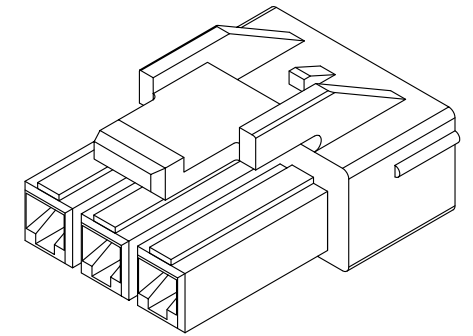
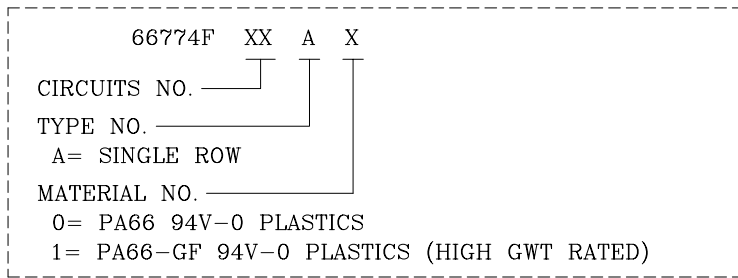


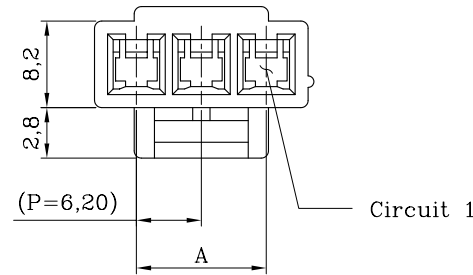
ORDER INFORMATION AND DIMENSION:

Circuits	Part No. (PA66 94V-0, White)	Part No. (PA66-GF, Light ivory)	Dimension	
			A	B
2	66774F02 A0	66774F02 A1	6.2	13.4
3	66774F03 A0	66774F03 A1	12.4	19.6
4	66774F04 A0	66774F04 A1	18.6	25.8

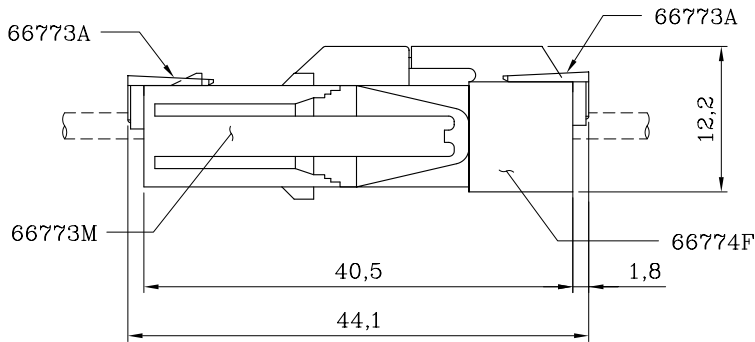
DESCRIPTION OF ORDER NO.:



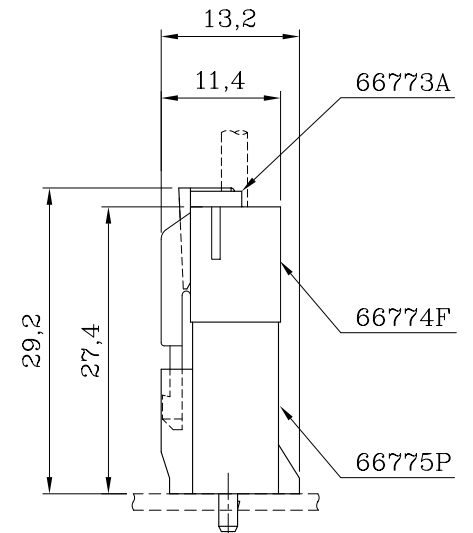
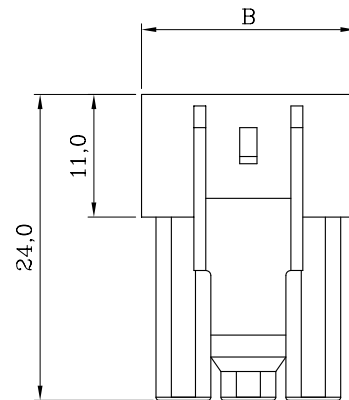
ISOMETRIC VIEW



Circuit 1



ASSEMBLY VIEW



ASSEMBLY LAYOUT

NOTES:

- MATERIAL:
BASE (No.=0): PA66 94V-0, WHITE
BASE (No.=1): PA66-GF 94V-0, LIGHT IVORY COLOR
- MATES WITH 66773MXXAX TYPE-A SERIES RECEPTACLE HOUSING.
MATES WITH 66773MXXCX TYPE-C SERIES RECEPTACLE HOUSING.
MATES WITH 66775PXXAX TYPE-A SERIES DIP HEADER.
- USE WITH 66773AXXAX TYPE-A SERIES CABLE RETAINER.
- DESCRIPTION OF COLOR NO.:
LEGEND: 66774FXXAX-X (-X: COLOR NO.)
B=BLACK, E=BLUE, H=GRAY,
I=BRICK RED, R=RED, W=BROWN
- REPLACEMENT OF HALOGEN-FREE PRODUCT (PA66-GF PLASTICS):
LEGEND: 66774FXXA1-XNH (NH: HALOGEN-FREE)
LEGEND: 66774FXXA1-SNH (S=LIGHT IVORY /NATURAL COLOR)
- INFORMATION IN THIS DRAWING IS NOT CONSIDERED AS FINAL.

		Sales Drawing			
聯盈電子股份有限公司 LANDWIN ELECTRONIC CORP.					
GENERAL TOLERANCE:		PROJECTION	SCALE	UNIT	SHEET NO.
			FREE	MM	1 / 1
		DRAWN R.G.	DRAW NO.		
		CHECKED J.L.Lin	(AQ) 66773MXXAX		
		APPD H.Y.Lin	TITLE:		
W1	NEW RELEASE	31-DEC-14'	ANGULAR ±3°	DATE 31-DEC-14'	6.2 PITCH SINGLE-ROW PLUG HOUSING (TYPE-A)
REV.	REVISION RECORD	DATE			