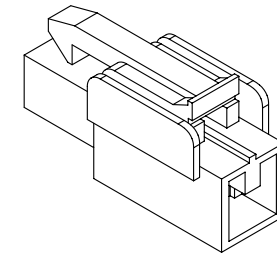
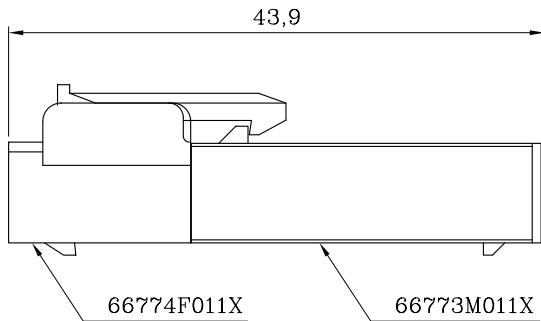


DESCRIPTION OF ORDER NO.:

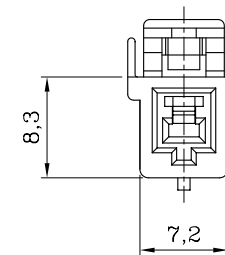
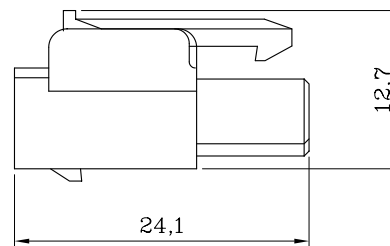
66774F 01 1 X  
 CIRCUITS NO. \_\_\_\_\_  
 TYPE NO. \_\_\_\_\_  
 SINGLE ROW  
 MATERIAL NO. \_\_\_\_\_  
 0= PA66 94V-0 PLASTICS, WHITE COLOR  
 1= PA66-GF PLASTICS, LIGHT IVORY COLOR



ISOMETRIC VIEW



ASSEMBLY LAYOUT



NOTES:

- MATERIAL:  
 BASE (No.=0): PA66 94V-0, WHITE COLOR  
 BASE (No.=1): PA66-GF 94V-0, LIGHT IVORY COLOR
- MATES WITH 66773M011X SERIES RECEPTACLE HOUSING.
- USE WITH 66773A011X-X SERIES CABLE RETAINER.  
 USE WITH 66773T/66774T SERIES CRIMP TERMINAL.
- DESCRIPTION OF COLOR NO.:  
 LEGEND: 66774F011X-X (-X: COLOR NO.)  
 B=BLACK, E=BLUE, H=GRAY,  
 I=BRICK RED, R=RED, W=BROWN
- REPLACEMENT OF HALOGEN-FREE PRODUCT (PA66-GF PLASTICS):  
 LEGEND: 66774F0111-XNH (NH: HALOGEN-FREE)  
 LEGEND: 66774F0111-SNH (S=LIGHT IVORY/NATURAL COLOR)
- INFORMATION IN THIS DRAWING IS NOT CONSIDERED AS FINAL.



Sales Drawing

**LANDWIN** 聯盈電子股份有限公司  
 LANDWIN ELECTRONIC CORP.

MATERIAL: SEE NOTES		PROJECTION		SCALE	UNIT	SHEET NO.	REV
FINISH(COLOR): SEE NOTES		FREE		FREE	MM	1 / 1	W1
		DRAWN R.G.		DRAW NO.			
		CHECKED J.L.Lin		(AQ) 66774F011X			
		APPD H.Y.Lin		TITLE:			
W1	NEW RELEASE	31-DEC-14'	ANGULAR ±3°	DATE 31-DEC-14'	6.2 PITCH SINGLE-ROW PLUG HOUSING		
REV.	REVISION RECORD	DATE					