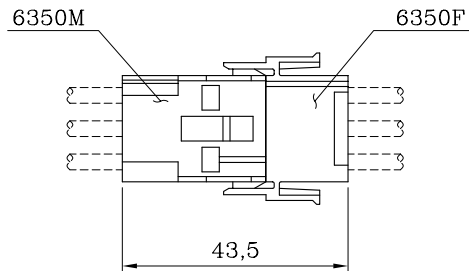
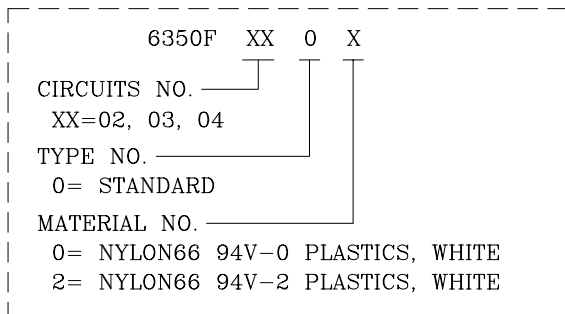


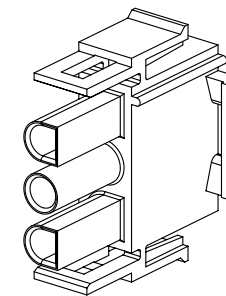
ORDER INFORMATION AND DIMENSION:

Circuits	Part No. (Nylon66 White color)		Dimension	
	UL 94V-0	UL 94V-2	A	B
2	6350F0200	6350F0202	6.35	14.0
3	6350F0300	6350F0302	12.70	20.3
4	6350F0400	6350F0402	19.05	26.7

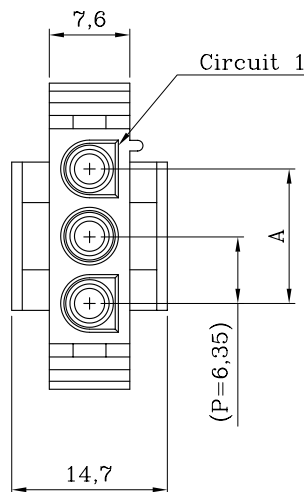
DESCRIPTION OF ORDER NO.:



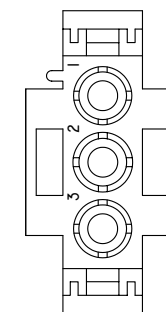
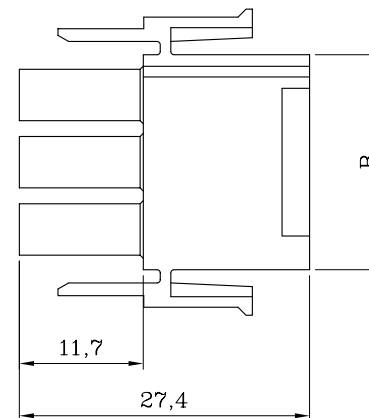
ASSEMBLY VIEW (SCALE= 1 : 2)



ISOMETRIC VIEW



2, 3, 4 Circuits



NOTES:

- MATERIAL:
 BASE: NYLON66 94V-0/94V-2, WHITE (NATURAL COLOR)
- USE WITH 6353TF SERIES CRIMP TERMINAL.
 (1) MATES WITH 6351PXX0XX/6351PXX1XX SERIES HEADER.
 (2) MATES WITH 6350MXX0X SERIES RECEPTACLE HOUSING.
- USE WITH 6353TM SERIES CRIMP TERMINAL.
 (1) MATES WITH 6351PXXYXX Y=2/Y=3 SERIES HEADER.
- DESCRIPTION OF COLOR NO.:
 LEGEND: 6350FXXOX-X (-X: COLOR CODE)
 B=BLACK, E=BLUE, H=GRAY,
 I=BRICK RED, R=RED, W=BROWN
- INFORMATION IN THIS DRAWING IS NOT CONSIDERED AS FINAL.

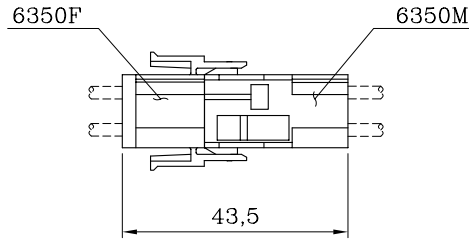
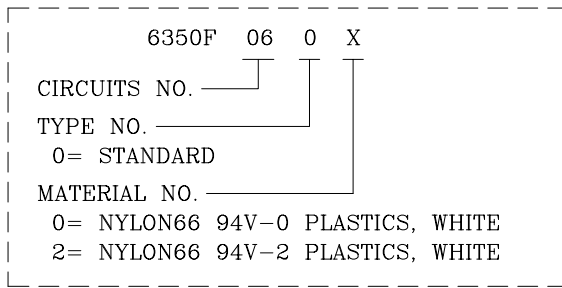
RoHS **REACH** Sales Drawing
RoHS Compliant REACH Compliant

MATERIAL: SEE NOTES		LANDWIN 聯盈電子股份有限公司 LANDWIN ELECTRONIC CORP.			
FINISH(COLOR): SEE NOTES					
GENERAL TOLERANCE:	PROJECTION:	SCALE: FREE	UNIT: MM	SHEET NO. 1 / 3	REV. W1
	DRAWN: R.G.	DRAW NO. (AQ) 6350FXX0X			
	CHECKED: J.L.Lin	TITLE: 6.35 PITCH PLUG HOUSING			
	APPD: H.Y.Lin	DATE: 31-DEC-14'			
W1	NEW RELEASE	31-DEC-14'	ANGULAR ±3°		
REV.	REVISION RECORD	DATE			

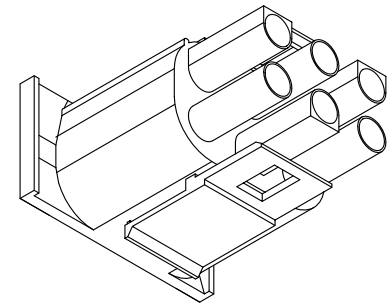
ORDER INFORMATION AND DIMENSION:

Circuits	Part No. (Nylon66 White color)		Dimension	
	UL 94V-0	UL 94V-2	A'	B'
6	6350F0600	6350F0602	6.35	14.0

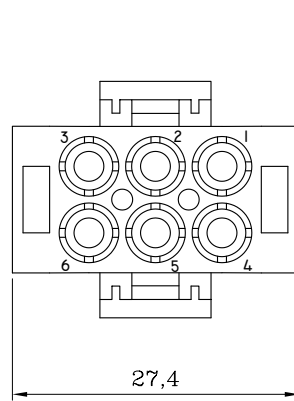
DESCRIPTION OF ORDER NO.:



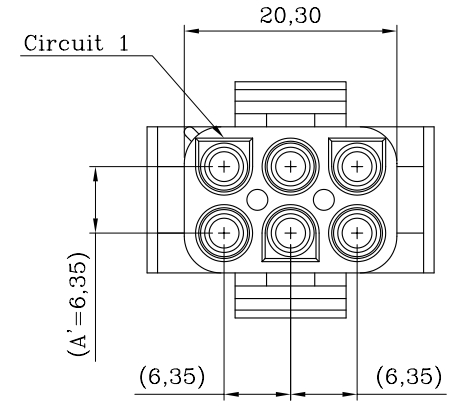
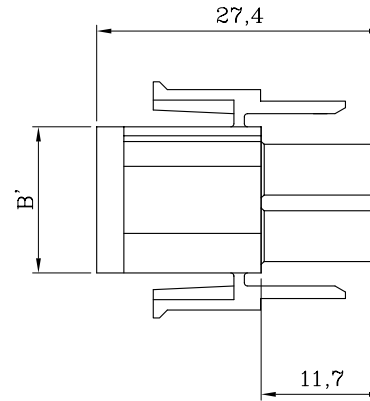
ASSEMBLY VIEW (SCALE= 1 : 2)



ISOMETRIC VIEW



6 Circuits



NOTES:

- MATERIAL:
BASE: NYLON66 94V-0/94V-2, WHITE (NATURAL COLOR)
- USE WITH 6353TF SERIES CRIMP TERMINAL.
(1) MATES WITH 6351P060XX/6351P061XX SERIES HEADER.
(2) MATES WITH 6350M060X SERIES RECEPTACLE HOUSING.
- USE WITH 6353TM SERIES CRIMP TERMINAL.
(1) MATES WITH 6351P06YXX Y=2/Y=3 SERIES HEADER.
- DESCRIPTION OF COLOR NO.:
LEGEND: 6350F060X-X (-X: COLOR CODE)
B=BLACK, E=BLUE, H=GRAY,
I=BRICK RED, R=RED, W=BROWN
- INFORMATION IN THIS DRAWING IS NOT CONSIDERED AS FINAL.



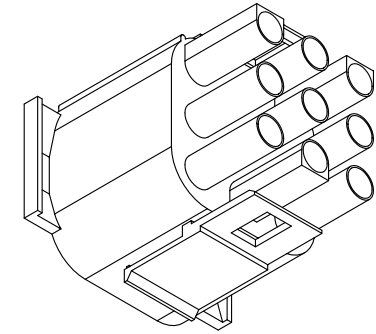
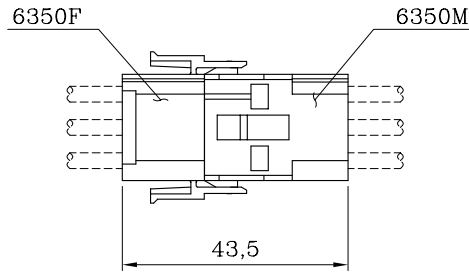
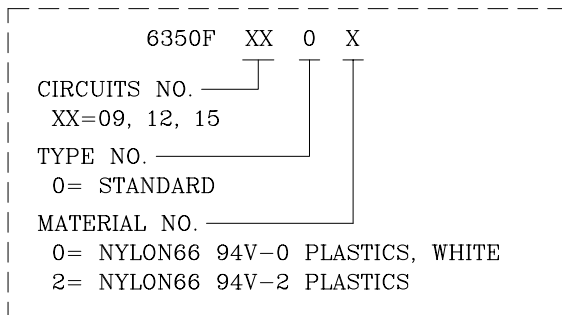
Sales Drawing

MATERIAL: SEE NOTES		聯盈電子股份有限公司 LANDWIN ELECTRONIC CORP.			
FINISH(COLOR): SEE NOTES					
GENERAL TOLERANCE:	PROJECTION	SCALE	UNIT	SHEET NO.	REV
		FREE	MM	2 / 3	W1
	DRAWN R.G.	DRAW NO.			
	CHECKED J.L.Lin	(AQ) 6350FXX0X			
	APPD H.Y.Lin	TITLE:			
W1 NEW RELEASE	31-DEC-14'	ANGULAR ±3°	DATE 31-DEC-14'	6.35 PITCH PLUG HOUSING	
REV. REVISION RECORD	DATE				

ORDER INFORMATION AND DIMENSION:

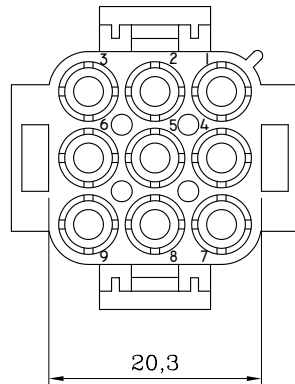
Circuits	Part No. (Nylon66 White color)		Dimension	
	UL 94V-0	UL 94V-2	A''	B''
9	6350F0900	6350F0902	12.70	20.3
12	6350F1200	6350F1202	19.05	26.7
15	6350F1500	6350F1502	25.40	33.0

DESCRIPTION OF ORDER NO.:

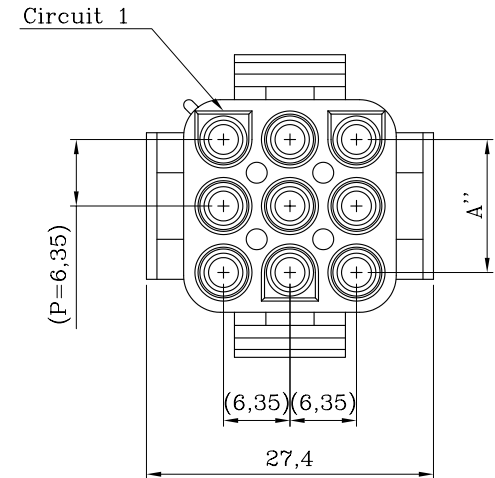
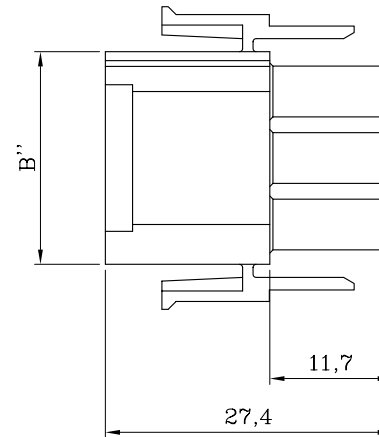


ASSEMBLY VIEW (SCALE= 1 : 2)

ISOMETRIC VIEW



9, 12, 15 Circuits



NOTES:

- MATERIAL:
BASE: NYLON66 94V-0/94V-2, WHITE (NATURAL COLOR)
- USE WITH 6353TF SERIES CRIMP TERMINAL.
(1) MATES WITH 6351PXX0XX/6351PXX1XX SERIES HEADER.
(2) MATES WITH 6350MXX0X SERIES RECEPTACLE HOUSING.
- USE WITH 6353TM SERIES CRIMP TERMINAL.
(1) MATES WITH 6351PXXYXX Y=2/Y=3 SERIES HEADER.
- DESCRIPTION OF COLOR NO.:
LEGEND: 6350FXXOX-X (-X: COLOR CODE)
B=BLACK, E=BLUE, H=GRAY,
I=BRICK RED, R=RED, W=BROWN
- INFORMATION IN THIS DRAWING IS NOT CONSIDERED AS FINAL.



Sales Drawing

LANDWIN 聯盈電子股份有限公司
LANDWIN ELECTRONIC CORP.

MATERIAL: SEE NOTES		PROJECTION		SCALE	UNIT	SHEET NO.	REV
FINISH(COLOR): SEE NOTES		FREE		FREE	MM	3 / 3	W1
		DRAWN R.G.		DRAW NO.			
		CHECKED J.L.Lin		(AQ) 6350FXXOX			
		APPD H.Y.Lin		TITLE:			
W1	NEW RELEASE	31-DEC-14'	ANGULAR ±3°	DATE 31-DEC-14'	6.35 PITCH		
REV.	REVISION RECORD	DATE	PLUG HOUSING				