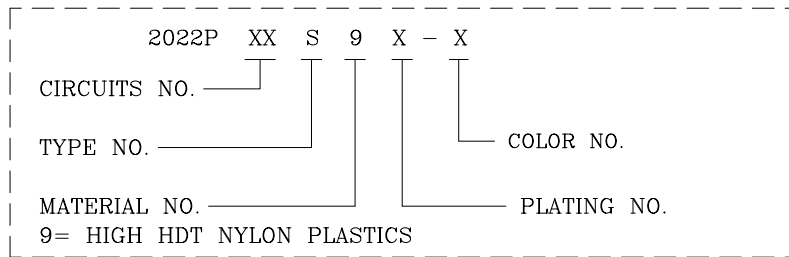


ORDER INFORMATION AND DIMENSION:

Circuits	Part No.		Dimension		
	Black color	Ivory color	A	B	C
2	2022P02S9T-B	2022P02S9T-S	2.0	5.8	7.6
3	2022P03S9T-B	2022P03S9T-S	4.0	7.8	9.6
4	2022P04S9T-B	2022P04S9T-S	6.0	9.8	11.6
5	2022P05S9T-B	2022P05S9T-S	8.0	11.8	13.6
6	2022P06S9T-B	2022P06S9T-S	10.0	13.8	15.6
7	2022P07S9T-B	2022P07S9T-S	12.0	15.8	17.6
8	2022P08S9T-B	2022P08S9T-S	14.0	17.8	19.6
9	2022P09S9T-B	2022P09S9T-S	16.0	19.8	21.6
10	2022P10S9T-B	2022P10S9T-S	18.0	21.8	23.6
11	2022P11S9T-B	2022P11S9T-S	20.0	23.8	25.6
12	2022P12S9T-B	2022P12S9T-S	22.0	25.8	27.6
13	2022P13S9T-B	2022P13S9T-S	24.0	27.8	29.6
14	2022P14S9T-B	2022P14S9T-S	26.0	29.8	31.6
15	2022P15S9T-B	2022P15S9T-S	28.0	31.8	33.6

DESCRIPTION OF ORDER NO.:

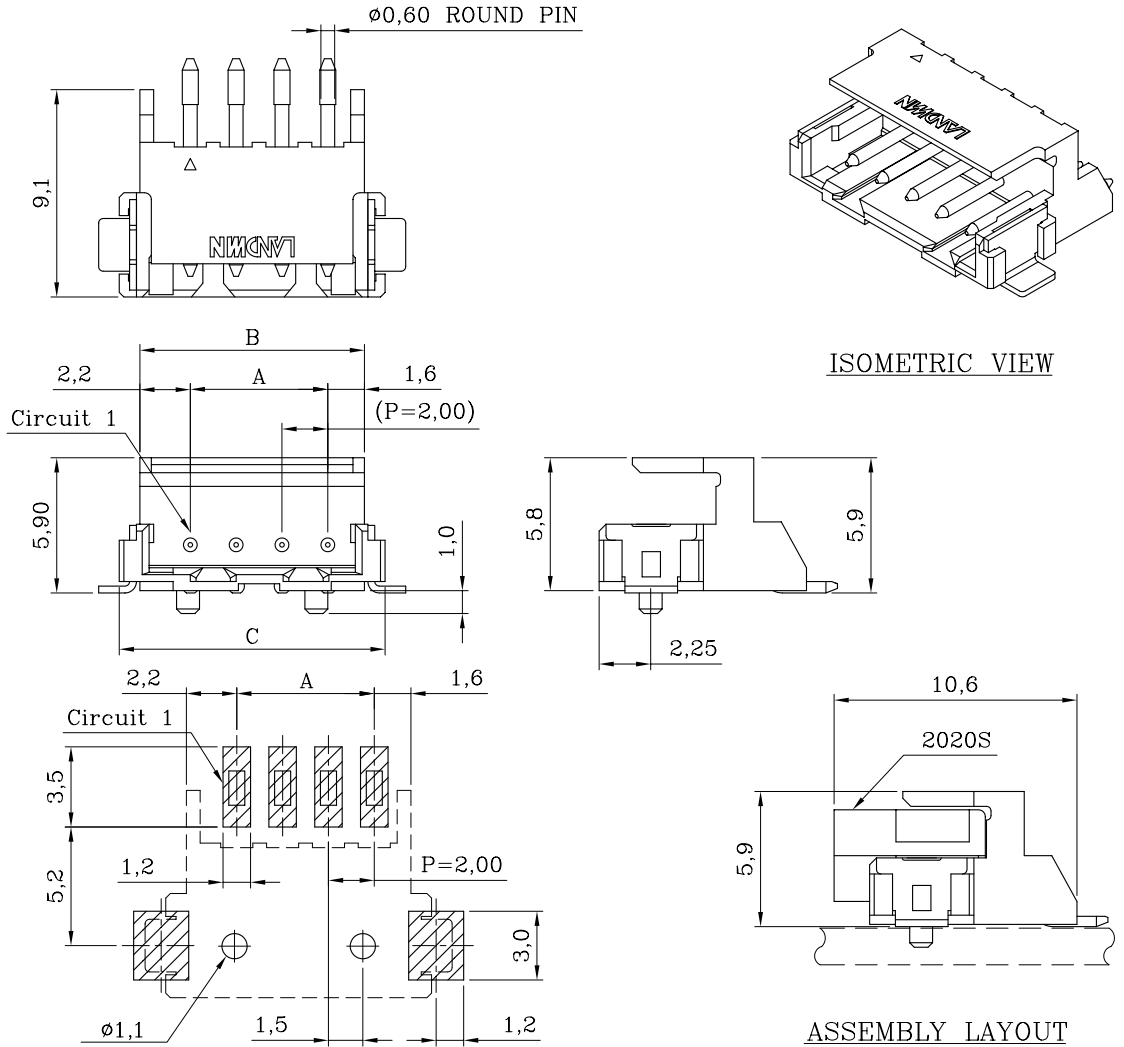


NOTES:

- MATERIAL:
BASE: HIGH HDT NYLON 94V-0
CONTACT PIN: BRASS
- MATES WITH 2020S SINGLE-ROW SERIES PLUG HOUSING.
- DESCRIPTION OF COLOR CODE:
LEGEND: 2022PXXS9X-X (-X: COLOR CODE)
B=BLACK, C=COCONUT BROWN, E=BLUE, H=GRAY,
I=BRICK RED, M=GREEN, R=RED, W=BROWN, S=NATURAL
- REPLACEMENT OF HALOGEN-FREE PRODUCT:
LEGEND: 2022PXXS9X-XNH (NH: HALOGEN-FREE)
LEGEND: 2022PXXS9X-BNH (B=BLACK)
- Q'ty per 330 mm Dia. Panel: 500 PCS/Embossed Tape Reel
- INFORMATION IN THIS DRAWING IS NOT CONSIDERED AS FINAL.

DESCRIPTION OF PLATING CODE

T	REFLOW TIN-PLATED	1	GOLD FLASH-PLATED
---	-------------------	---	-------------------



P.C. BOARD LAYOUT

MATERIAL: SEE NOTES	
FINISH(COLOR): SEE NOTES	
W1	NEW RELEASE
REV.	REVISION RECORD
	DATE



Sales Drawing



聯盈電子股份有限公司
LANDWIN ELECTRONIC CORP.

GENERAL TOLERANCE:	PROJECTION	SCALE	UNIT	SHEET NO.	REV
	⊕	FREE	MM	1 / 1	W1
	DRAWN	R.G.	DRAW NO.		
	CHECKED	J.L.Lin	(CQ) 2022PXXS9X-X		
	APPD	H.Y.Lin	TITLE:		
W1	NEW RELEASE	31-DEC-14'	ANGULAR ±3°	DATE 31-DEC-14'	2.00 PITCH SINGLE-ROW RIGHT-ANGLE SMT-HEADER