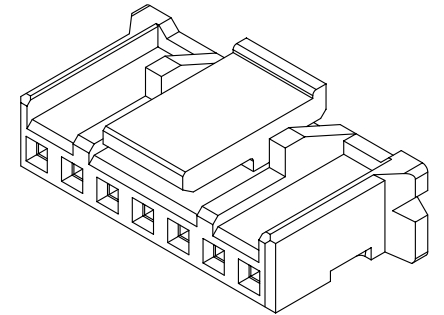
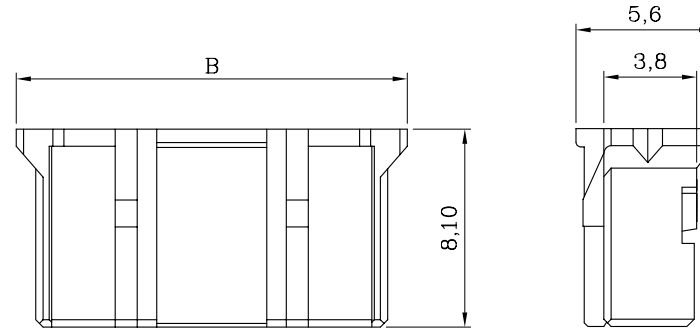
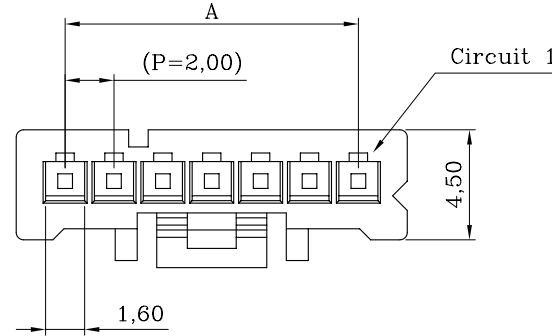


ORDER INFORMATION AND DIMENSION:

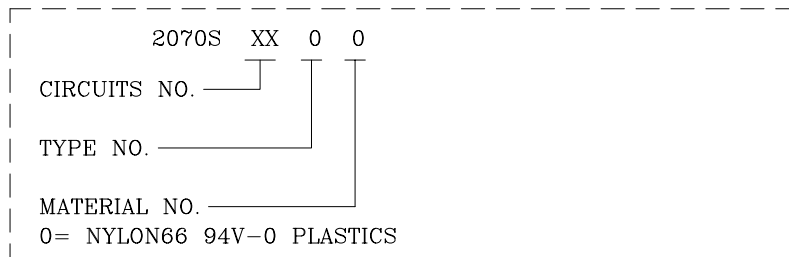
Circuits	Part No.	Dimension	
		A	B
2	2070S02 00	2.0	6.0
3	2070S03 00	4.0	8.0
4	2070S04 00	6.0	10.0
5	2070S05 00	8.0	12.0
6	2070S06 00	10.0	14.0
7	2070S07 00	12.0	16.0
8	2070S08 00	14.0	18.0
9	2070S09 00	16.0	20.0
10	2070S10 00	18.0	22.0
11	2070S11 00	20.0	24.0
12	2070S12 00	22.0	26.0
13	2070S13 00	24.0	28.0
14	2070S14 00	26.0	30.0
15	2070S15 00	28.0	32.0
16	2070S16 00	30.0	34.0



ISOMETRIC VIEW



DESCRIPTION OF ORDER NO.:



NOTES:

1. MATERIAL:
BASE: NYLON66 94V-0 PLASTICS, WHITE COLOR (NATURAL)
2. USE WITH 2053T011X SERIES CRIMP TERMINAL.
3. MATES WITH 2071P, 2072P TYPE-A SINGLE-ROW SERIES HEADER.
4. DESCRIPTION OF COLOR CODE:
LEGEND: 2070SXX00-X (-X: COLOR CODE)
B=BLACK, C=COCONUT BROWN, D=ORANGE, E=BLUE, H=GRAY,
I=BRICK RED, K=PURPLE, L=LEMON YELLOW, M=GREEN,
P=PINK, R=RED, V=LAVENDER, W=BROWN, Y=YELLOW



Sales Drawing

MATERIAL: SEE NOTES		FINISH(COLOR): SEE NOTES		聯盈電子股份有限公司 LANDWIN ELECTRONIC CORP.		
GENERAL TOLERANCE:	PROJECTION	SCALE	UNIT	SHEET NO.	REV	
		FREE	MM	1 / 1	W1	
	DRAWN	R.G.	DRAW NO.			
	CHECKED	J.L.Lin	(AQ) 2070SXX00			
	APPD	H.Y.Lin	TITLE:			
W1	NEW RELEASE	31-DEC-14'	ANGULAR ±3°	DATE 31-DEC-14'	2.00 PITCH SINGLE-ROW PLUG HOUSING	
REV.	REVISION RECORD	DATE				