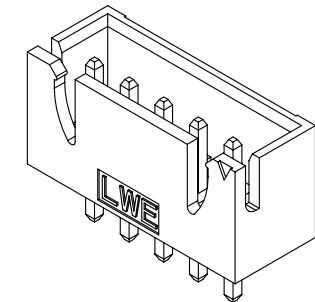
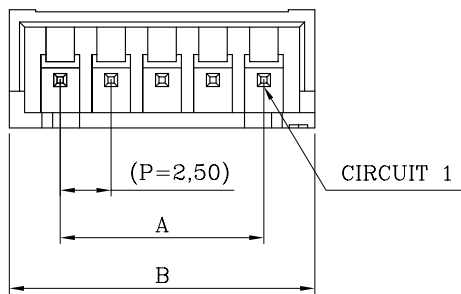
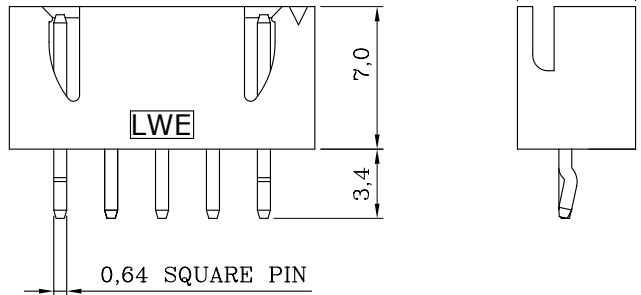


ORDER INFORMATION AND DIMENSION:

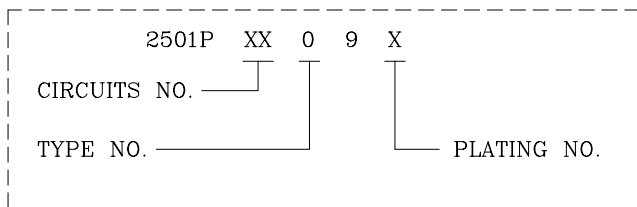
Circuits	Part No. (DIP Reflow Type)	Dimension		
		A	B	C
2	2501P02 09V	2.5	7.5	10.0
3	2501P03 09V	5.0	10.0	12.5
4	2501P04 09V	7.5	12.5	15.0
5	2501P05 09V	10.0	15.0	17.5
6	2501P06 09V	12.5	17.5	20.0
7	2501P07 09V	15.0	20.0	22.5
8	2501P08 09V	17.5	22.5	25.0
9	2501P09 09V	20.0	25.0	27.5
10	2501P10 09V	22.5	27.5	30.0
11	2501P11 09V	25.0	30.0	32.5
12	2501P12 09V	27.5	32.5	35.0
13	2501P13 09V	30.0	35.0	37.5
14	2501P14 09V	32.5	37.5	40.0
15	2501P15 09V	35.0	40.0	42.5



ISOMETRIC VIEW

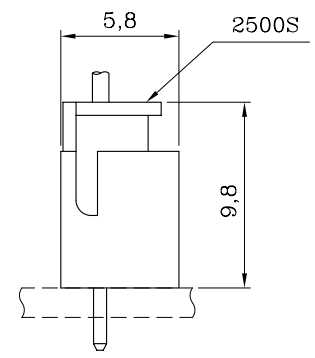
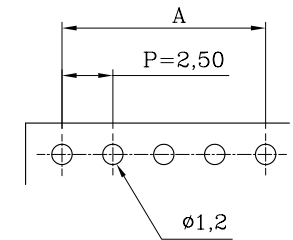


DESCRIPTION OF ORDER NO.:



NOTES:

- MATERIAL:
BASE: HIGH HDT NYLON 94V-0, IVORY COLOR (NATURAL)
CONTACT PIN: BRASS
- MATES WITH 2500S SINGLE-ROW SERIES PLUG HOUSING.
- DESCRIPTION OF COLOR CODE:
LEGEND: 2501PXX09X-X (-X: COLOR CODE)
B=BLACK, C=COCONUT BROWN, E=BLUE, H=GRAY,
I=BRICK RED, M=GREEN, R=RED, W=BROWN
- REPLACEMENT OF HALOGEN-FREE PRODUCT:
LEGEND: 2501PXX09X-XNH (NH: HALOGEN-FREE)
LEGEND: 2501PXX09X-SNH (S=NATURAL COLOR)
- INFORMATION IN THIS DRAWING IS NOT CONSIDERED AS FINAL.



ASSEMBLY LAYOUT

DESCRIPTION OF PLATING CODE:	
V= MATTE TIN-PLATED	1= GOLD FLASH-PLATED

P.C. BOARD LAYOUT (COMPONENT SIDE)

MATERIAL: SEE NOTES	
FINISH(COLOR): SEE NOTES	
W1	NEW RELEASE
REV.	REVISION RECORD



GWT 850 °C Rated		Sales Drawing			
LANDWIN 聯盈電子股份有限公司 LANDWIN ELECTRONIC CORP.					
GENERAL TOLERANCE:	PROJECTION	SCALE	UNIT	SHEET NO.	REV
		FREE	MM	1 / 1	W1
	DRAWN R.G.	DRAW NO.			
	CHECKED J.L.Lin	(CQ) 2501PXX09X			
	APPD H.Y.Lin	TITLE:			
	DATE 31-DEC-14'	2.50 PITCH SINGLE-ROW STRAIGHT DIP-HEADER			