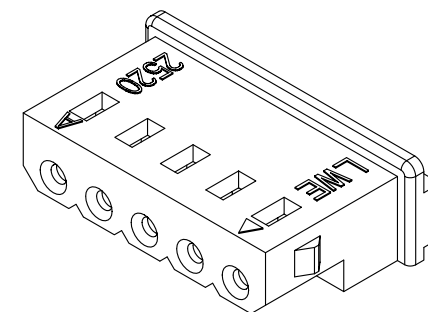
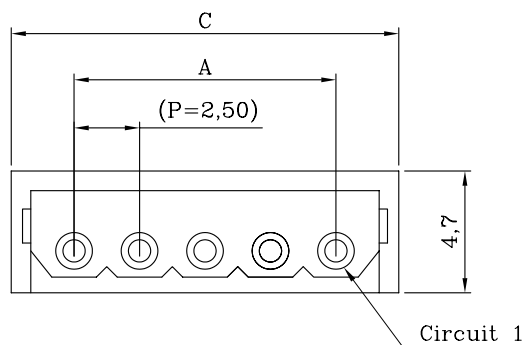
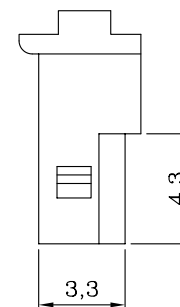
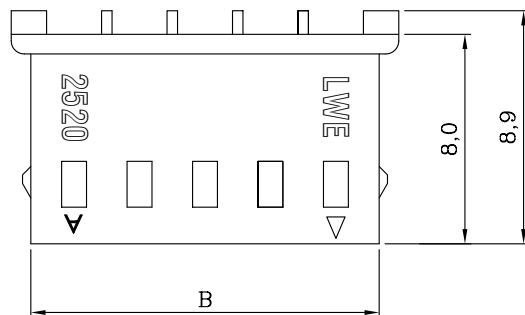


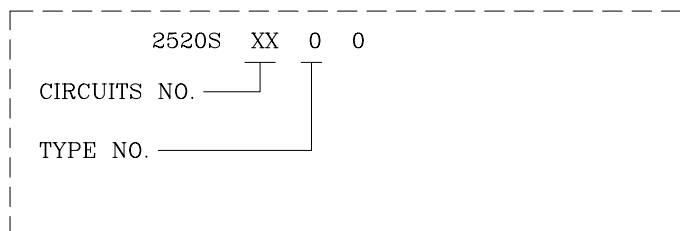
ORDER INFORMATION AND DIMENSION:

Circuits	Part No.	Dimension		
		A	B	C
2	2520S0200	2.5	5.8	7.5
3	2520S0300	5.0	8.3	10.0
4	2520S0400	7.5	10.8	12.5
5	2520S0500	10.0	13.3	15.0
6	2520S0600	12.5	15.8	17.5
7	2520S0700	15.0	18.3	20.0
8	2520S0800	17.5	20.8	22.5
9	2520S0900	20.0	23.3	25.0
10	2520S1000	22.5	25.8	27.5
11	2520S1100	25.0	28.3	30.0
12	2520S1200	27.5	30.8	32.5
13	2520S1300	30.0	33.3	35.0
14	2520S1400	32.5	35.8	37.5
15	2520S1500	35.0	38.3	40.0



ISOMETRIC VIEW

DESCRIPTION OF ORDER NO.:



NOTES:

- MATERIAL:
BASE: GLASS-FILLED NYLON66 94V-0,
LIGHT IVORY COLOR (NATURAL)
- USE WITH 2523T SERIES CRIMP TERMINAL.
- MATES WITH 2521P, 2522P SINGLE-ROW SERIES HEADER.
- DESCRIPTION OF COLOR CODE:
LEGEND: 2520SXX00-X (-X: COLOR CODE)
B=BLACK, C=COCONUT BROWN, E=BLUE, H=GRAY,
I=BRICK RED, M=GREEN, R=RED, W=BROWN, P=PINK, K=PURPLE
- REPLACEMENT OF HALOGEN-FREE PRODUCT:
LEGEND: 2520SXX00-XNH (NH: HALOGEN-FREE)
LEGEND: 2520SXX00-SNH (S=NATURAL COLOR)
- INFORMATION IN THIS DRAWING IS NOT CONSIDERED AS FINAL.



Sales Drawing

MATERIAL: SEE NOTES		FINISH(COLOR): SEE NOTES		LANDWIN 聯盈電子股份有限公司 LANDWIN ELECTRONIC CORP.		
GENERAL TOLERANCE:	PROJECTION	SCALE	UNIT	SHEET NO.	REV	
	⊕	FREE	MM	1 / 1	W1	
	DRAWN	R.G.	DRAW NO.			
	CHECKED	J.L.Lin	(AQ) 2520SXX00			
	APPD	H.Y.Lin	TITLE:			
W1	NEW RELEASE	31-DEC-14'	ANGULAR ±3°	DATE	31-DEC-14'	
REV.	REVISION RECORD	DATE	2.50 PITCH SINGLE-ROW PLUG HOUSING			