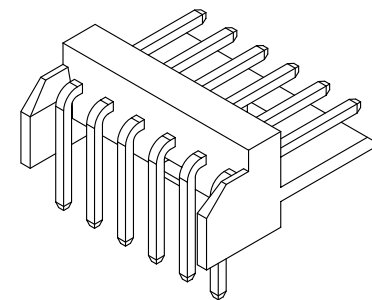
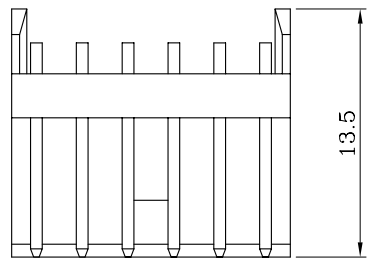


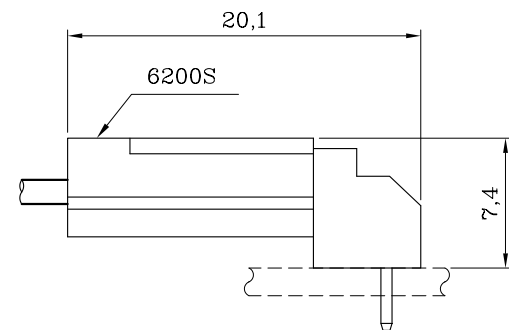
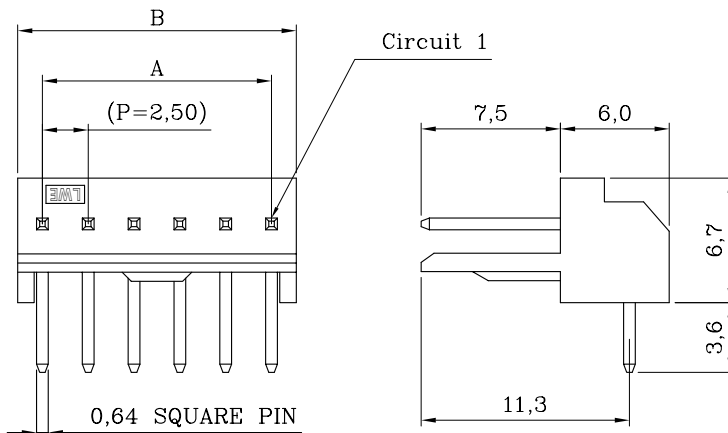
12 11 10 9 8 7 6 5 4 3 2 1

ORDER INFORMATION AND DIMENSION:

Circuits	Part No. (White color, T/P)	Dimension	
		A	B
2	6203P0200T	2.5	5.0
3	6203P0300T	5.0	7.5
4	6203P0400T	7.5	10.0
5	6203P0500T	10.0	12.5
6	6203P0600T	12.5	15.0
7	6203P0700T	15.0	17.5
8	6203P0800T	17.5	20.0
9	6203P0900T	20.0	22.5
10	6203P1000T	22.5	25.0
11	6203P1100T	25.0	27.5
12	6203P1200T	27.5	30.0

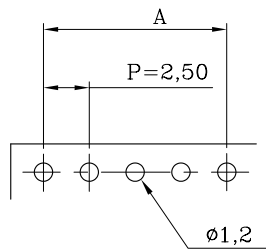
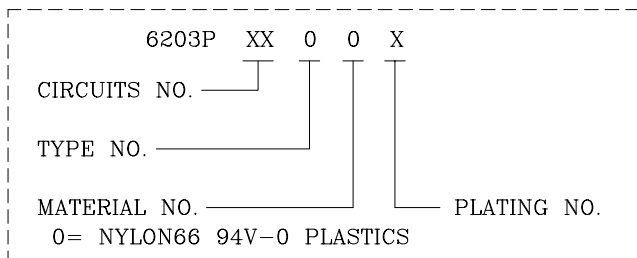


ISOMETRIC VIEW



ASSEMBLY LAYOUT

DESCRIPTION OF ORDER NO.:



P.C. BOARD LAYOUT
(COMPONENT SIDE)

NOTES:

- MATERIAL:
BASE: NYLON66 94V-0, WHITE COLOR (NATURAL)
CONTACT PIN: BRASS
- MATES WITH 6200S SINGLE-ROW SERIES PLUG HOUSING.
- DESCRIPTION OF COLOR CODE:
LEGEND: 6203PXX00X-X (-X: COLOR CODE)
B=BLACK, C=COCONUT BROWN, E=BLUE, H=GRAY,
I=BRICK RED, M=GREEN, R=RED, W=BROWN
- INFORMATION IN THIS DRAWING IS NOT CONSIDERED AS FINAL.



Sales Drawing



聯盈電子股份有限公司
LANDWIN ELECTRONIC CORP.

GENERAL TOLERANCE:	PROJECTION	SCALE	UNIT	SHEET NO.	REV
		FREE	MM	1 / 1	W1
	DRAWN	R.G.	DRAW NO.		
	CHECKED	J.L.Lin	(CQ) 6203PXX00X		
	APPD	H.Y.Lin	TITLE:		
			2.50 PITCH SINGLE-ROW RIGHT-ANGLE DIP-HEADER		

DESCRIPTION OF PLATING CODE:	
T= TIN-PLATED (T/P)	1= GOLD FLASH-PLATED
V= MATTE TIN-PLATED	

W1	NEW RELEASE	31-DEC-14'	ANGULAR ±3°
REV.	REVISION RECORD	DATE	